



Datenblatt - Fiche technique - Data sheet

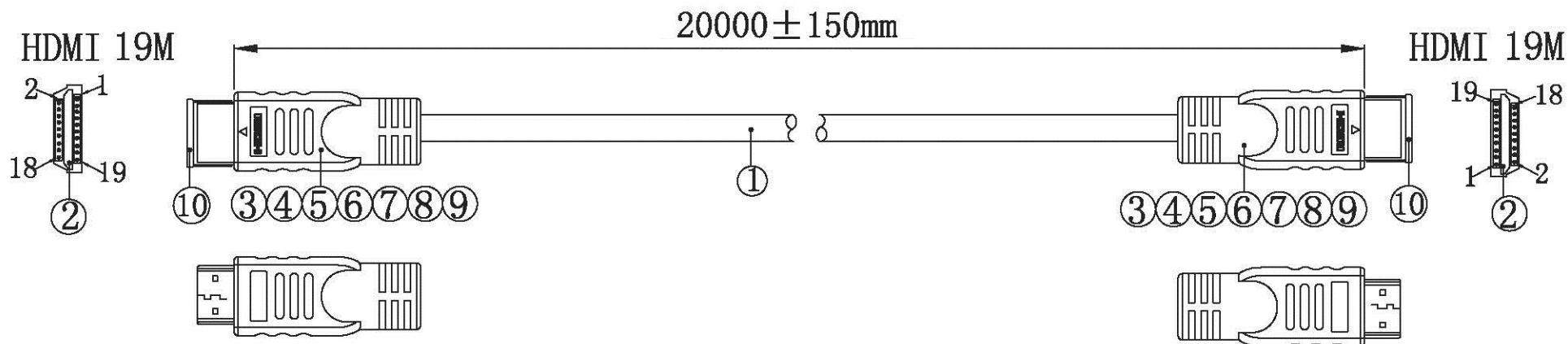
11.99.5750



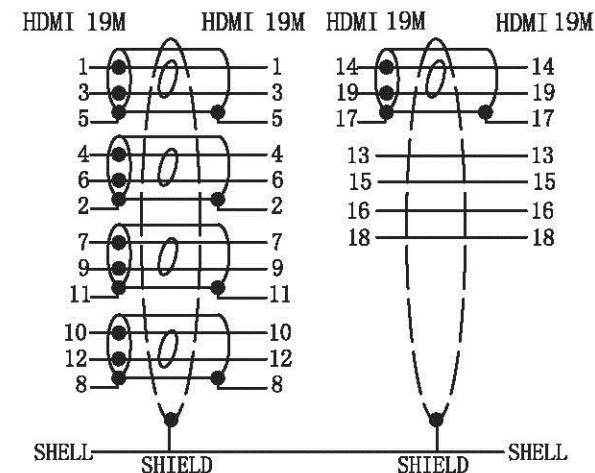
VALUE HDMI High Speed Kabel mit Ethernet, LSOH, 20m

VALUE Câble HDMI High Speed avec Ethernet, LSOH, 20m

**VALUE HDMI High Speed Cable with Ethernet,
HDMI M – HDMI M, LSOH, 20m**



Pin Out



NO	Material	Specification	Unit	QTY	Remarks
①	Cable	UL20276 (1P*24#+AL+D+M)*5C+3C*24#+1C*24#+AL+D+B OD810.0 1.4V 160AL black printing: High Speed HDMI™ Cable With Ethernet E119932-T 兄 AWM STYLE 21104 80°C 30V VW-1 COPARTNER RoHS	M	20.0	
②	Connector	HDMI 19P M Nickel Plated RoHS	PCS	2	
③	Tin line	Lead-free Green Wire OD0.8 1000g RoHS	G	0.56	
④	Tube (1)	Black Shrink-Heat Tube OD:1.0MM RoHS	M	0.110	10*11mm
⑤	Tube (2)	Black Shrink-Heat Tube OD:2.5MM RoHS	M	0.060	10*6mm
⑥	Inner mold	LD-PE RoHS	KG	0.004	
⑦	Mask Tape	1.8CM RoHS	M	0.11	2*55mm
⑧	Copper foil	2.2CM Copper Foil RoHS	M	0.11	2*55mm
⑨	Outer mold	Black PVC A813 60P RoHS	KG	0.020	
⑩	Dust cover	Dust cover PE Material RoHS	PCS	2PCS	

Test parameters:insulation resistance:10mΩ conduction impedance:5Ω high-pressure test:300v

rotronic		
Item no.	11.99.5750	
VALUE HDMI High Speed Cable, w/Ethernet, A-A, M/M, LSOH, 20.0m, black		
	Unit: mm	CHECKED BY ENGINEER
	Version: A/0	APPROVED BY SALES