



Datenblatt - Fiche technique - Data sheet

17.03.0110



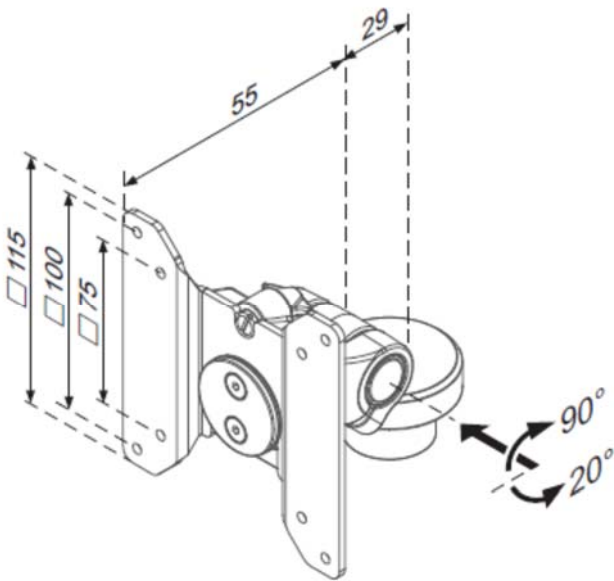
ROLINE Modulares Arbeitsplatz-System, Monitorträger,

ROLINE Modular System Display Bracket,

ROLINE Modular System Display Bracket, black

Item no.: 17.03.0110

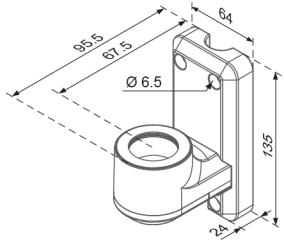
ROLINE Modular System, Display Bracket, white



unit:mm

Features:

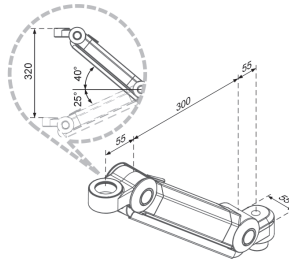
- Assembly part for display mount which are used for various applications in the Industrial, Office, Education, Hospital, and other fields
- Max. loading up to 15 kgs
- Material: aluminum
- Colour: white



ROLINE Modular System WallMount

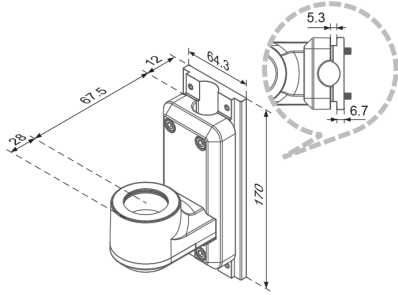


17.03.0100



ROLINE Modular System Highgas Arm, 1Joint

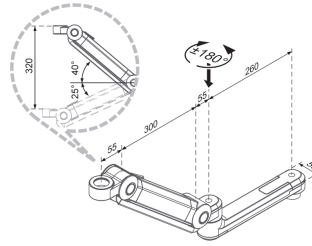
17.03.0105



ROLINE Modular System TrackMount Bracket

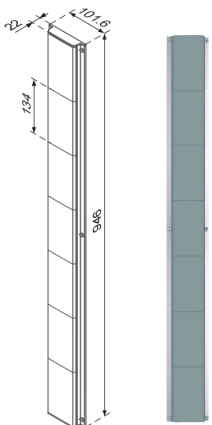


17.03.0101



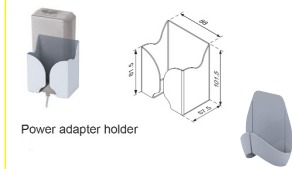
ROLINE Modular System Highgas Arm, 2Joint

17.03.0106

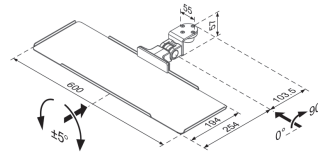


ROLINE Modular System Wall Track

17.03.0102

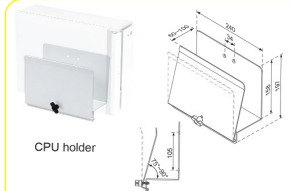


ROLINE Modular System Power Adapter Holder 17.03.0109
ROLINE Modular System Mouse Holder 17.03.0111

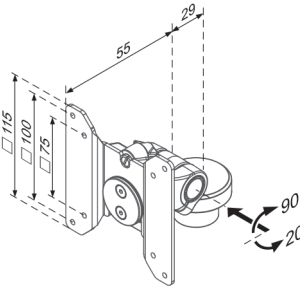


ROLINE Modular System Keyboard Tray

17.03.0108

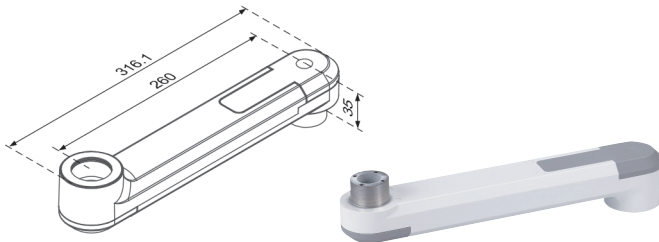


CPU holder



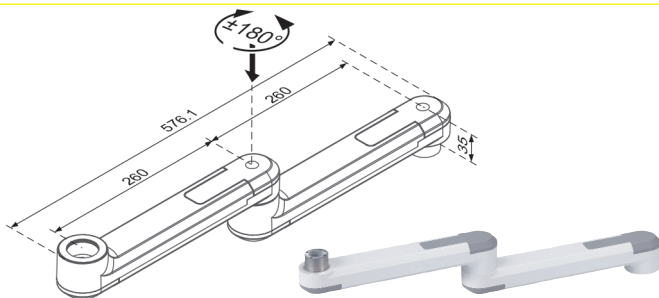
ROLINE Modular System Display Bracket

17.03.0110



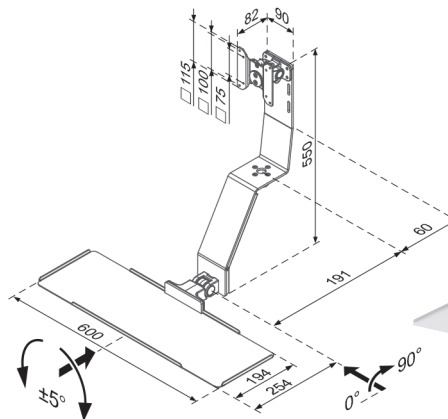
ROLINE Modular System Extension Arm, 1Joint

17.03.0103



ROLINE Modular System Extension Arm, 2Joints

17.03.0104



ROLINE Modular System Display/Keyboard

17.03.0107

