



Datenblatt - Fiche technique - Data sheet

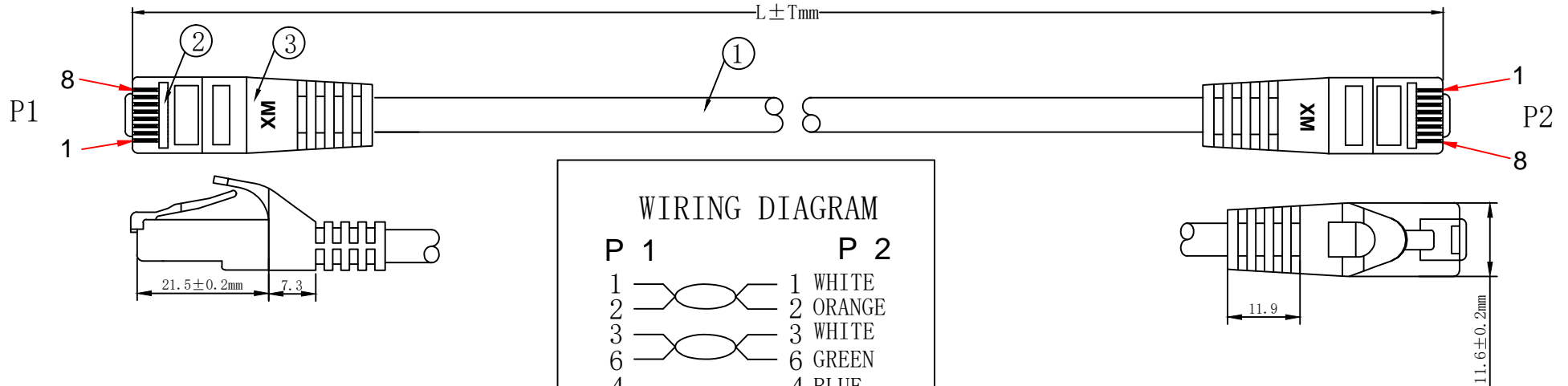
**21.15.2931**



ROLINE Patchkabel Kat.6A S/FTP (PiMF), Comp. Level, LSOH, violett, 1,0 m

Cordon ROLINE S/FTP(PiMF) Cat.6A / 10 Gigabit, LSOH, Component Level,  
violett, 1,0 m

ROLINE S/FTP Patch Cord Cat.6A, Component Level, LSOH, violet, 1.0 m



**1. ELECTRICAL TEST:**

- (1).100% OPEN SHORT & MISS WIRE TEST;
- (2). INSULATION RESISTANCE:DC 250V 20M OHM MIN;
- (3). CONTACTOR RESISTANCE:30 OHM MAX

2. PRINTING:GHMT® roline CAT.6A S/FTP COMPONENT PATCH CORD LSZH 500MHZ ISO/IEC

11801 & EN 50173-1 & ANSI/TIA-568-C.2

3.100% Component Patch cord Test PASS

4. Minimum bending radius:60mm

**MATERIAL LIST**

⑥	LABEL	NO DRY GLUE LABEL	1PCS	
⑤	MINI TIE	PE MINI TIE(POSSESS METAL)	2PCS	
④	POLYETHYLENE BAG	POLYETHYLENE BAG	1PCS	
③	OVER MOLD	88A PVC Purple	2PCS	
②	CONNECTOR	RJ45 8P8C'S SHIELDED PIN GOLD PLATED 3u", SHELL PLATED NICKEL Transparent Blue	2PCS	
①	CABLE	S/FTP CAT. 6A 26AWG (BC*1P+AL-FOIL)*4P+BRAID CABLE JACKET LSOH OD=6.2±0.2MM	1PCS	
NO.	PARTS NAME	SPECIFICATION STANDARD	QT' Y	REMARK

COLOUR:Purple (PANTONE:2725C)		
ITEM NO.	LENGTH (L)	TOLERANCE (T)
21. 15. 2980	300mm	± 10mm
21. 15. 2930	500mm	± 15mm
21. 15. 2931	1000mm	± 30mm
21. 15. 2934	1500mm	± 45mm
21. 15. 2932	2000mm	± 60mm
21. 15. 2933	3000mm	± 90mm
21. 15. 2935	5000mm	± 150mm
21. 15. 2936	7500mm	± 210mm
21. 15. 2937	10000mm	± 300mm
21. 15. 2938	15000mm	± 450mm
21. 15. 2939	20000mm	± 600mm

ITEM NO.	21. 15. 2980	21. 15. 2930	21. 15. 2931	21. 15. 2932	21. 15. 2933
21. 15. 2934	21. 15. 2935	21. 15. 2936	21. 15. 2937	21. 15. 2938	21. 15. 2939
DESC.	ROLINE S/FTP PatchCord CAT. 6A, LSOH, Comp. Level1, Purple				



		NEW		2016-09-13	A
BY	CHK	REVISION RECORD MODIFICATIONS		DATE	REV.