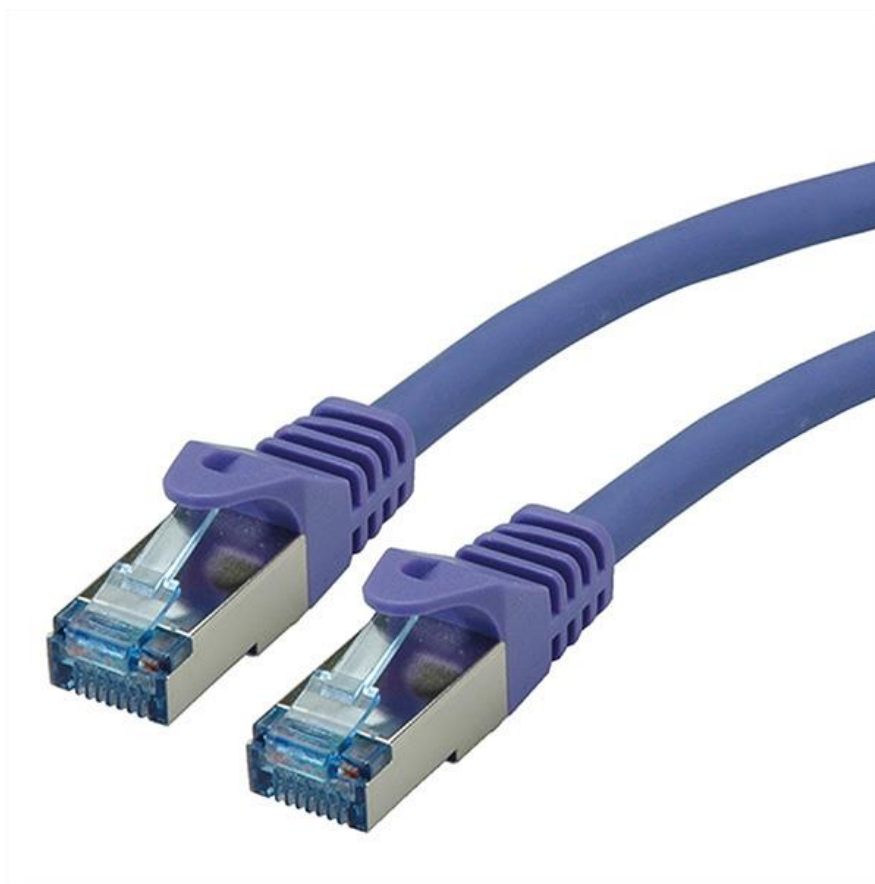




Datenblatt - Fiche technique - Data sheet

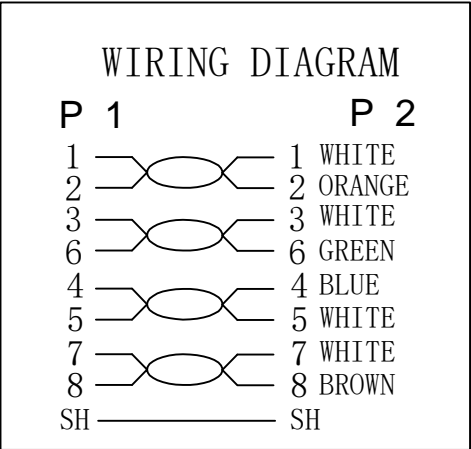
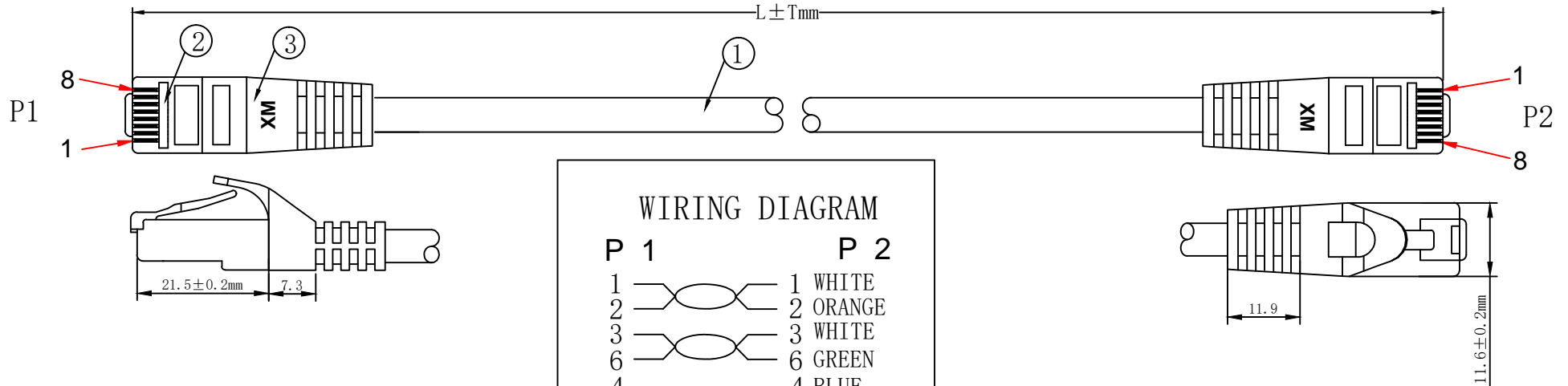
21.15.2934



ROLINE Patchkabel Kat.6A S/FTP (PiMF), Comp. Level, LSOH, violett, 1,5 m

Cordon ROLINE S/FTP(PiMF) Cat.6A / 10 Gigabit, LSOH, Component Level,
violett, 1,5 m

ROLINE S/FTP Patch Cord Cat.6A, Component Level, LSOH, violet, 1.5 m



1. ELECTRICAL TEST:

- (1).100% OPEN SHORT & MISS WIRE TEST;
- (2).INSULATION RESISTANCE:DC 250V 20M OHM MIN;
- (3).CONTACTOR RESISTANCE:30 OHM MAX

2.PRINTING:GHMT® roline CAT.6A S/FTP COMPONENT PATCH CORD LSZH 500MHZ ISO/IEC 11801 & EN 50173-1 & ANSI/TIA-568-C.2

3.100% Component Patch cord Test PASS

4.Minimum bending radius:60mm

MATERIAL LIST

⑥	LABEL	NO DRY GLUE LABEL	1PCS	
⑤	MINI TIE	PE MINI TIE(POSSESS METAL)	2PCS	
④	POLYETHYLENE BAG	POLYETHYLENE BAG	1PCS	
③	OVER MOLD	88A PVC Purple	2PCS	
②	CONNECTOR	RJ45 8P8C'S SHIELDED PIN GOLD PLATED 3u", SHELL PLATED NICKEL Transparent Blue	2PCS	
①	CABLE	S/FTP CAT.6A 26AWG (BC*1P+AL-FOIL)*4P+BRAID CABLE JACKET LSOH OD=6.2±0.2MM	1PCS	
NO.	PARTS NAME	SPECIFICATION STANDARD	QT' Y	REMARK

COLOUR:Purple (PANTONE:2725C)		
ITEM NO.	LENGTH (L)	TOLERANCE (T)
21.15.2980	300mm	±10mm
21.15.2930	500mm	±15mm
21.15.2931	1000mm	±30mm
21.15.2934	1500mm	±45mm
21.15.2932	2000mm	±60mm
21.15.2933	3000mm	±90mm
21.15.2935	5000mm	±150mm
21.15.2936	7500mm	±210mm
21.15.2937	10000mm	±300mm
21.15.2938	15000mm	±450mm
21.15.2939	20000mm	±600mm

ITEM NO.	21.15.2980	21.15.2930	21.15.2931	21.15.2932	21.15.2933
21.15.2934	21.15.2935	21.15.2936	21.15.2937	21.15.2938	21.15.2939
DESC.	ROLINE S/FTP PatchCord CAT.6A, LSOH, Comp.Level1, Purple				

SECOMP

BY	CHK	NEW	2016-09-13	A
		REVISION RECORD MODIFICATIONS	DATE	REV.