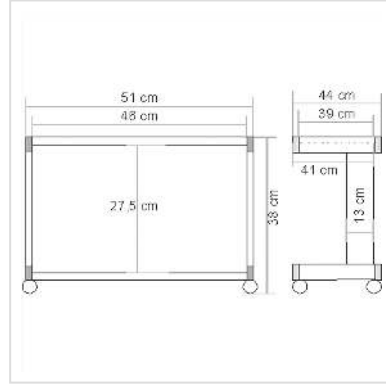


ROLINE Mini Printer Table, grey

Product No.	17.01.1085
Manufacturer	ROLINE
Manufacturer No.	17.01.1085
EAN (single piece)	7611990120741



- Stable metal frame
- Printer shelf and floor level shelf (WxD: 46x39 cm)
- Mobile through 4 wheels, 2 of them are lockable
- Load bearing capacity: up to 30 kg
- Colour:
frame: light grey
surface: white
surface border: white
- Dimensions (HxWxD): 38x51x44 cm

Technical specifications

Manufacturer	ROLINE
Product group	Furniture
Product type	printer table
Colour	grey
delivery condition	decomposed
width table top	46 cm
depth table top	39 cm
Height	380 mm
Width	510 mm
Depth	440 mm

Weight	8 kg
Height of packaging (single piece)	80 mm
Width of packaging (single piece)	460 mm
Depth of packaging (single piece)	660 mm
Package weight (single piece)	9 kg