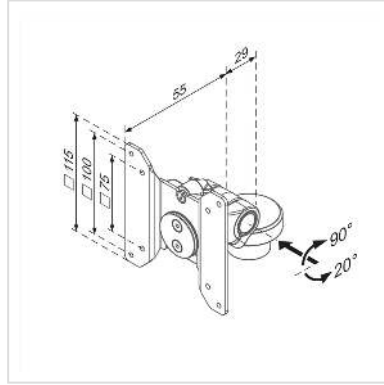


# ROLINE Modular System Display Bracket, black

<b>Product No.</b>	17.03.0110
<b>Manufacturer</b>	ROLINE
<b>Manufacturer No.</b>	17.03.0110
<b>EAN (single piece)</b>	7611990125043



**ROLINE Modular System: flexible solutions to meet your own various applications!**

**ROLINE Modular System: These series provides flexible solutions to meet your own various applications:**

- Warehouse & Inventory control / Assembly Line / Test Lab
- Financial / Trading / Conference Room / Reception
- Library / Cafeteria / Laboratory
- Retail / Wholesale / Public Spaces
- The combination of the different elements of this series allows you the ultimate functionality, flexibility and performance

**2 ranges can be built: Track Mount Type / Wall Mount Type**

- Built for normal duty and heavy duty computer workstation use
- Safe and ergonomic

**Track Mount Type**

- Slide the monitor arm into place on track easily
- Ideal solution perfect for use in different environments
- Gas-spring assisted arm offers easy height adjustment and ergonomic comfort
- Accommodate users of sitting and standing work postures to create a healthy workplace

- Organized cable management
- The minimum need to realise this is the use of the correspondent elements (ROLINE Modular System Wall Track - 17.03.0102 / ROLINE Modular System TrackMount Bracket - 17.03.0101) in combination with extension arms (with or without gas spring), display bracket, display/keyboard holder...

### Wall Mount Type

- Designed for use in space-constrained environment settings
- Superior design to provide easy adjustment
- The arms fold back to the wall into a compact retracted position for space saving
- Multiple configurations maximize productivity and flexibility
- Integrated cable management offers easier cleaning and a neat look
- The minimum need to realise this is the use of the correspondent element (ROLINE Modular System WallMount - 17.03.0100) in combination with extension arms (with or without gas spring), display bracket, display/keyboard holder...

### Additional Accessories

- The elements mentioned below can be used as accessories for a better space organisation if you are using components like CPU / power adapter (power supply for monitor or CPU) / mouse

Power Adapter Holder 17.03.0109

Mouse Holder 17.03.0111

CPU Holder 17.03.0112

### Technical specifications

Manufacturer	ROLINE
Product group	LCD-Monitor arms
Product type	Modular System
Colour	grey
Fixing	VESA 75 to VESA 100
VESA 75 x 75 mm	Yes
VESA 100 x 100 mm	Yes

Material group	metal
Technical particularity	fixation screws
Weight	778.3 g