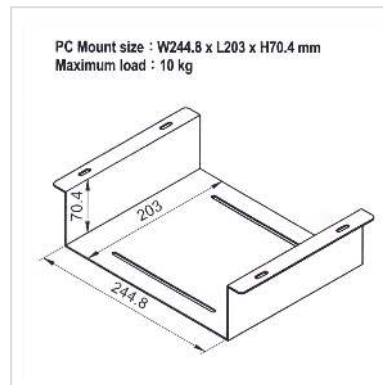


# ROLINE Underdesk Mount for KVM/NUC/Mini PC / Thin Clients

<b>Product No.</b>	17.03.0113
<b>Manufacturer</b>	ROLINE
<b>Manufacturer No.</b>	17.03.0113
<b>EAN (single piece)</b>	7630049618824



## Save space by mounting your thin client under your desk!

- Heavy-duty steel construction
- Suitable for a lot of types of thin clients and small cpus
- Under-Desk Installation: it saves valuable desk space and also keeps cpu free from dust
- Maximum weight should not exceed 10 kg
- Can be fixed under your desktop using the supplied fixings screws
- Allows full access to power button, output jacks, and cables.
- Content: 4x mounting screws, installation instructions

### Technical specifications

Manufacturer	ROLINE
Product group	office furniture
Product type	CPU Holders
Colour	black
Load capacity	10 kg
Adjustments	not applicable
Inclinable	No
Height adjustable	No
Rotatable	No

Material group	metal
Height	72 mm
Width	288 mm
Depth	203 mm
Weight	1084.5 g