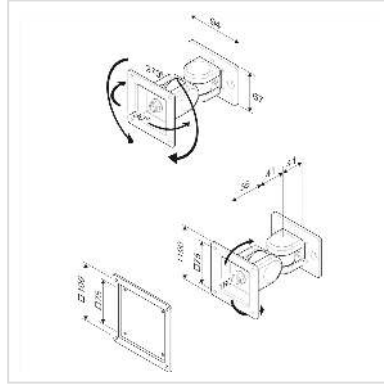


ROLINE Monitorfixing for Bridge, up to 14 kg

Product No.	17.03.1166
Manufacturer	ROLINE
Manufacturer No.	17.03.1166
EAN (single piece)	7611990155521



- Offers double pivot movement and accomodation portrait/landscape with a weight capacity of 1 - 14 kg
- For VESA mounting 100x100 mm

Technical specifications

Manufacturer	ROLINE
Product group	LCD-Monitor arms
Product type	Accessories
Colour	silver
Load capacity	14 kg
Quantity of pivots	2
Fixing	Slot Mount Type for Post Arm
Adjustments	Mechanical
Number of monitors	1
VESA 100 x 100 mm	Yes
Material group	metal
Technical particularity	with adapter also VESA 100 x 100
Weight	1430.6 g