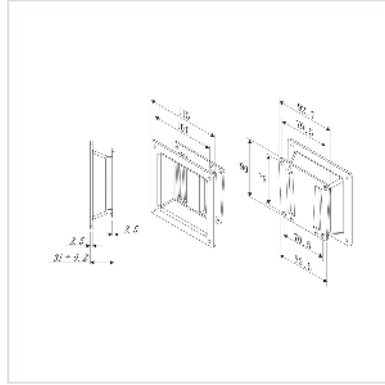


# ROLINE LCD Monitor Wall Mount Kit, -20 kg, VESA 100

<b>Product No.</b>	17.03.1181
<b>Manufacturer</b>	ROLINE
<b>Manufacturer No.</b>	17.03.1181
<b>EAN (single piece)</b>	7611990169948



- Space saving mounting of monitor on Walls
- Load capacity: up to 20 kg
- VESA 100 fixation

## Technical specifications

Manufacturer	ROLINE
Product group	LCD-Monitor arms
Product type	VESA Adapters
Colour	silver
Load capacity	20 kg
Fixing	wall mount
Maximal arm length	31 mm
Number of monitors	1
VESA 100 x 100 mm	Yes
Material group	metal
Weight	479.3 g