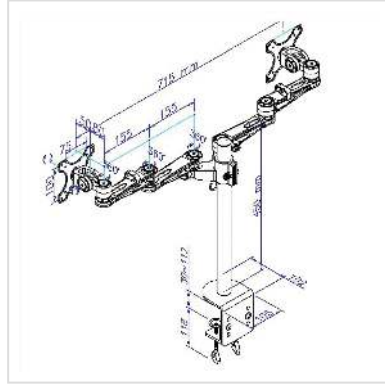


VALUE Dual LCD Monitor Arm, Desk Clamp, 4 Joints

Product No.	17.99.1133
Manufacturer	VALUE
Manufacturer No.	17.99.1133
EAN (single piece)	7611990190645



The Dual LCD Arm makes your workstation more efficient and you gain more workspace.

- Designed for two monitors
- The two aluminium arms are easy to adjust for swinging into any position
- Each display can be tilted to any angle you need
- The height of the LCD monitors is adjustable
- Load capacity: up to 10 kg each monitor
- Meets VESA 75 (75 x 75 mm) or VESA 100 (100 x 100 mm)
- Arm length: up to 2x 350 mm
- With a C-clamp for desk mount

Technical specifications

Manufacturer	VALUE
Product group	LCD-Monitor arms
Product type	Monitor Arms, Desk Clamp
Colour	grey
Load capacity	12 kg
Quantity of pivots	5
Fixing	desk clamp
Maximal arm length	2x 350 mm
Adjustments	Mechanical
Inclinable	Yes

Height adjustable	Yes
Rotatable	Yes
Number of monitors	2
VESA 75 x 75 mm	Yes
VESA 100 x 100 mm	Yes
Material group	metal
Technical particularity	vertically adjustable
Weight	4893.2 g