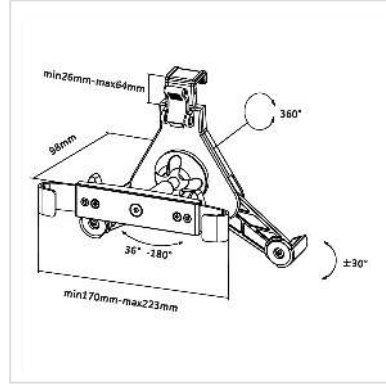


# VALUE Universal Tablet Headrest Holder

<b>Product No.</b>	17.99.1152
<b>Manufacturer</b>	VALUE
<b>Manufacturer No.</b>	17.99.1152
<b>EAN (single piece)</b>	7611990130030



- Car headrest holder for iPad 1/2/3/4/Air/Air2, 8.9"-10.4" Galaxy and other tablets
- Range of headrest pin width: 156mm~186mm
- Suit headrest pins up to 16mm in diameter
- Flexible angle between two legs of 36°~ 180°
- Adjustable top leg length of 26-64mm
- Freely  $\pm 30^\circ$  tilted silicone feet for holding your iPad perfectly
- 360° rotation allows portrait and landscape viewing
- Easy and secure attachment
- Clamper width: 184mm
- Material: steel + plastic

## Technical specifications

Manufacturer	VALUE
Product group	Tablet Accessories
Product type	Tablet Holder
Colour	black
Adjustments	Mechanical
Inclinable	Yes
Rotatable	Yes
Number of monitors	1
Weight	314.6 g