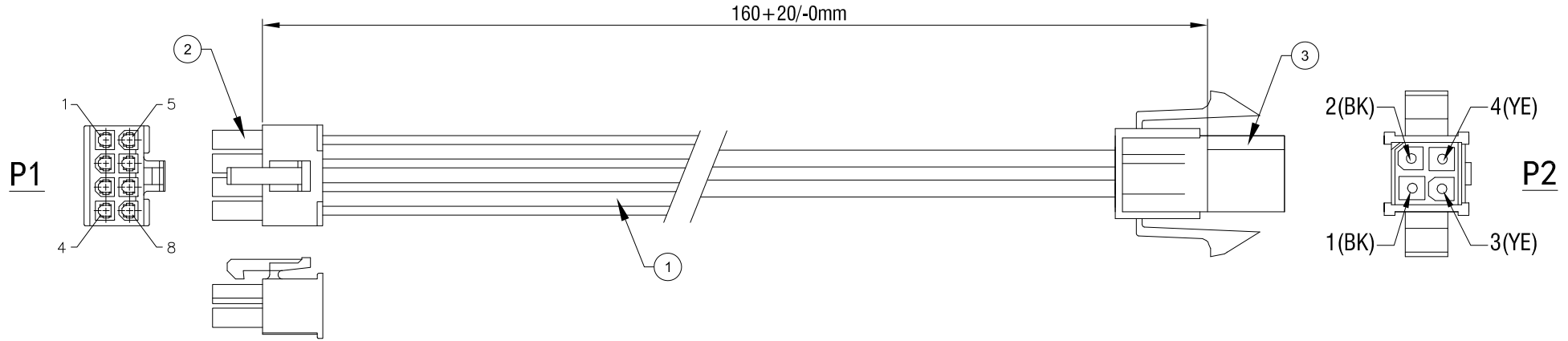


RoHS Compliant





WIRE ADDRESS

<u>P1</u>		<u>P2</u>	
1	Black	1	
2	Black	1	
3	Black	2	
4	Black	2	
5	Yellow	3	
6	Yellow	3	
7	Yellow	4	
8	Yellow	4	

Electrical Test:

- 1.100% TEST OPEN SHORT MIS-WIRE.
- 2.CONTACT RESISTANCE:3Ω MAX.
- 3.INSULATION RESISTANCE:5MΩ MIN.
- 4.HI-POT:300V DC/10MS.

				ROLINE Int. Pow. Cable, 8-pin-4-pin Power					
3	ATX 4P FEMALE PH4.2mm(Transparent White Housing)	1	PCS	Item	11.03.1021				
2	ATX 8P MALE PH4.2mm(Transparent White Housing)	1	PCS	Draw	Sam Date: 2022.09.13				
1	UL1007 18#(YELLOW)*4C(BC),18#(BLACK)*4C(BC) WIRE,PVC JACKET.		PCS	Approval					
NUMBER	PRODUCT SPECIFICATIONS	Quantity	Unit	Duty	F16 BOM.NO:				
				Sample NO.	Drawings of 1 (2)	Proportion: 1:1	Unit(mm)		A4