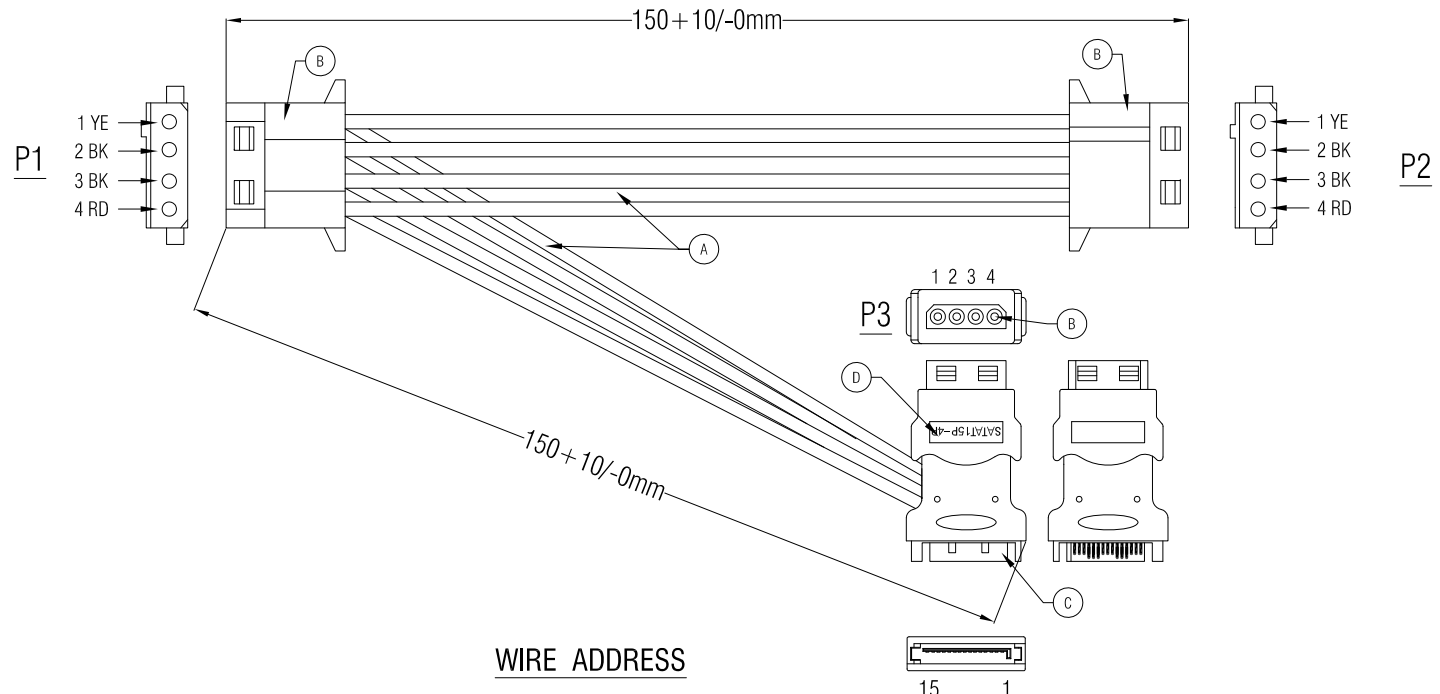


RoHS Compliant



WIRE ADDRESS

P1	P2	P3	P4
1 — Yellow	1 — Yellow	1 — Yellow	13+14+15
2 — Black	2 — Black	2 — Black	10+11+12
3 — Black	3 — Black	3 — Black	4+5+6
4 — Red	4 — Red	4 — Red	7+8+9

Electrical Test:

- 1.100% TEST OPEN SHORT MIS-WIRE.
- 2.CONTACT RESISTANCE:3Ω MAX.
- 3.INSULATION RESISTANCE:5MΩ MIN.
- 4.HI-POT:300V DC/10MS.

NUMBER	PRODUCT SPECIFICATIONS	Quantity	Unit
D	45P BLACK PVC		G
C	SATA15P MALE(Black Insulator)	1	PCS
B	BIG 4P FEMALE(Transparent White HOUSING)	3	PCS
A	UL1007,18#WIRE(YELLO*2PCS,BLACK*4PCS/RED*2PCS)PVC JACKET.	1	PCS

ROLINE Internal Y-Power Cable, SATA to 3x 4-pin HDD		SECOMP	
Item	11.03.1040		
Draw	SAM		Date:2022.09.13
Approval			
Maker	F16		BOM.NO:
Sample NO.			