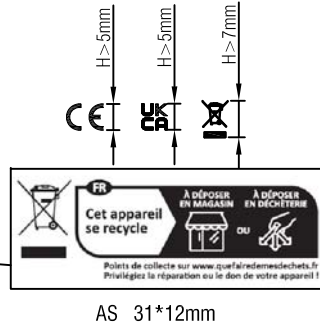
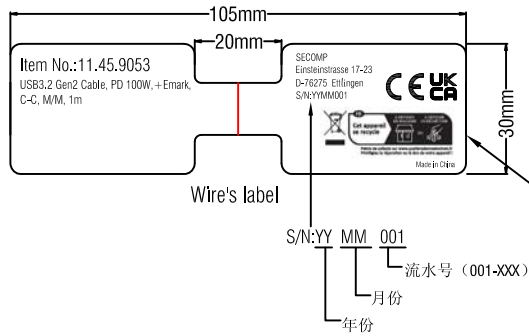
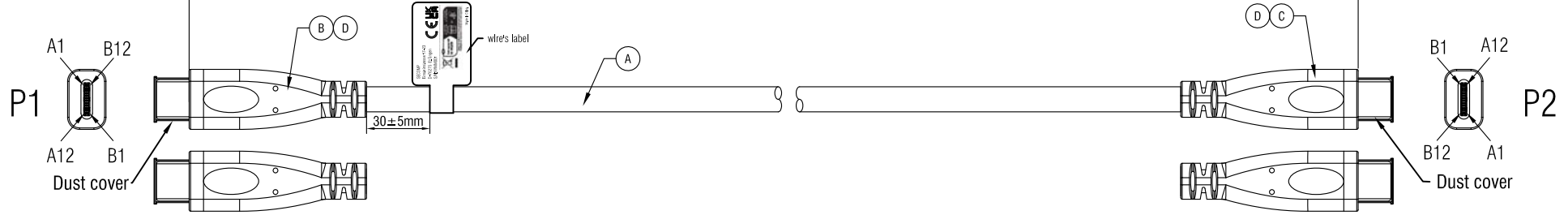
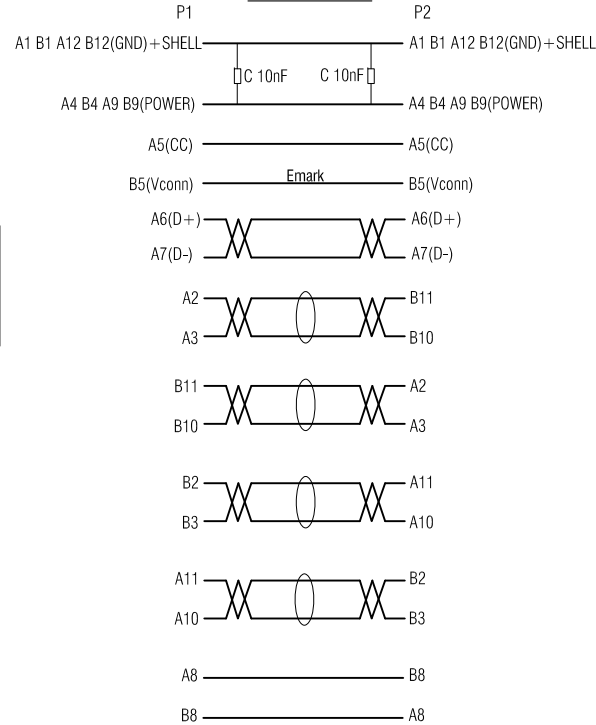


RoHS Compliant

1000±30mm



Pin Assignment

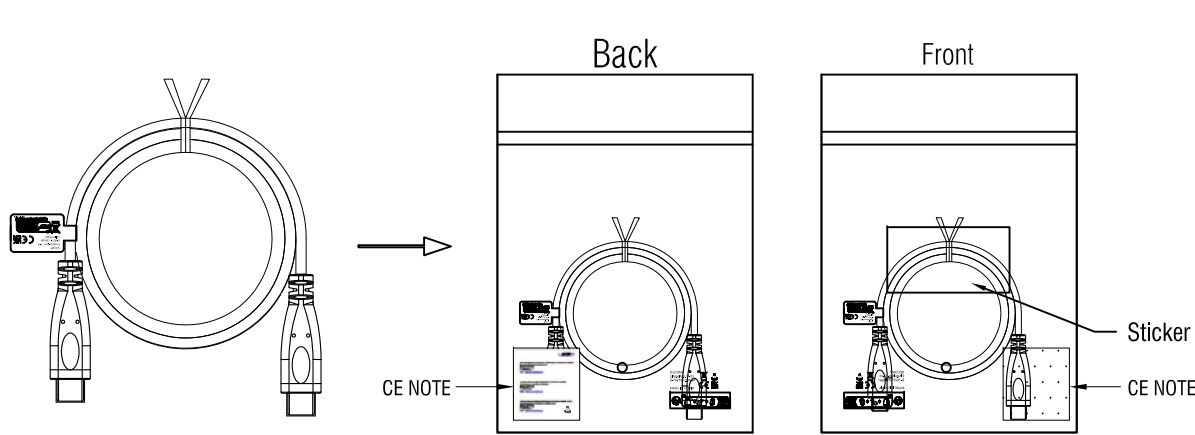


- Electrical Test:
- 1.100% TEST OPEN SHORT MIS-WIRE.
 - 2.CONTACT RESISTANCE:3Ω MAX.
 - 3.INSULATION RESISTANCE:5MΩ MIN.
 - 4.HI-POT:300V DC/10MS.
 - 5.Support PD:5A / 20V(100W) .
 - 6.Support USB 3.2 Gen2 10Gbps
 - 7.Real Test Passed 3840*2160P 60Hz.
 - 8.Real Test Not Twinkling,Double Vision and Decolor.

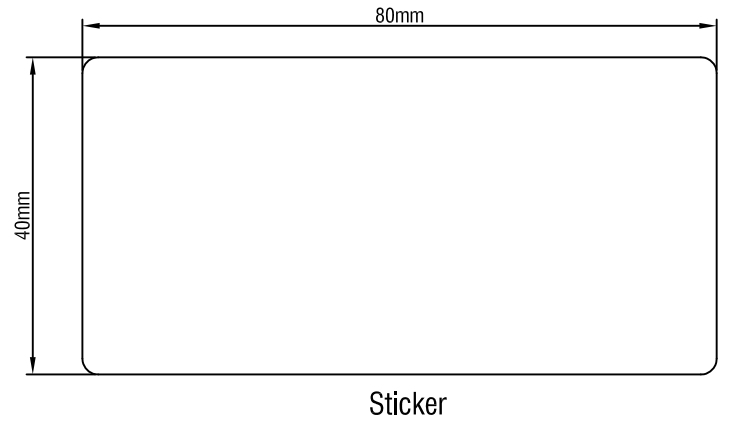
NUMBER	PRODUCT SPECIFICATIONS	Quantity	Unit	Sample NO.	Duty	BOM.NO:xxxxx
D	45P PVC BLACK (GRS)		G	USB3.2 Gen2 Cable, PD 100W, +Emark, C-C, M/M, 1m		
C	USB TYPE C MALE(Black Insulation,Nickel plated)+C(10nF)+Emark	1	PCS	Item	11.45.9053	
B	USB TYPE C MALE(Black Insulation,Nickel plated)+C(10nF)	1	PCS	Draw	<i>Kobe</i>	Date: 2023.12.20
A	NON-UL (32#*1P+AM)*4C+32#*1P+32#*4C+24#*2C+DA,OD=4.5mm,BLACK PVC(GRS) JACKET.	1	PCS	Approval		
				Duty	F16	BOM.NO:xxxxx

SECOMP

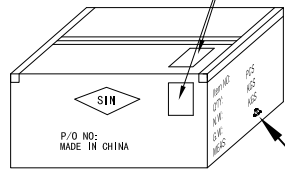
RoHS Compliant



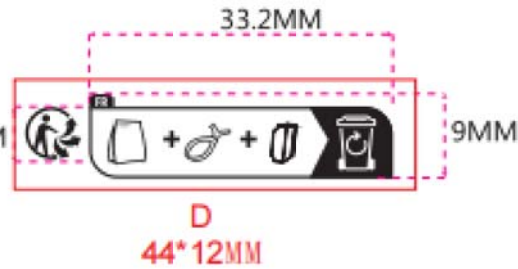
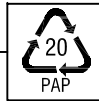
1PCS/100% GRS PE BAG(0.06*150*200mm) + STICKER+CE NOTE



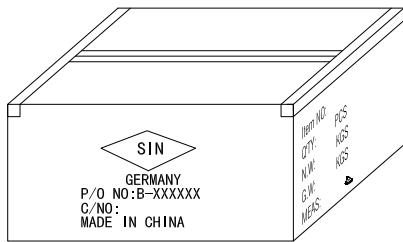
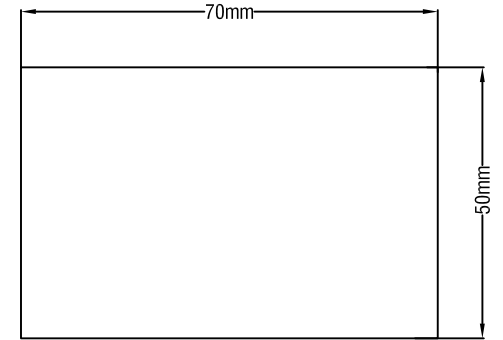
Carton Sticker(2cm distance from edge of carton)



Box
(150*136*95mm)
10PCS/CNT



Triman logo



Carton Size:
(440*330*220mm)
120PCS/CTN



CE NOTE

USB3.2 Gen2 Cable, PD 100W, +Emark, C-C, M/M, 1m			
Item	11.45.9053		
Draw	<i>Kobe</i>		Date: 2023.12.20
Approval			
Duty	F16		BOM.NO:xxxxx
Sample NO.		Drawings of 2 (2) Proportion: 1:1 Unit(mm)	