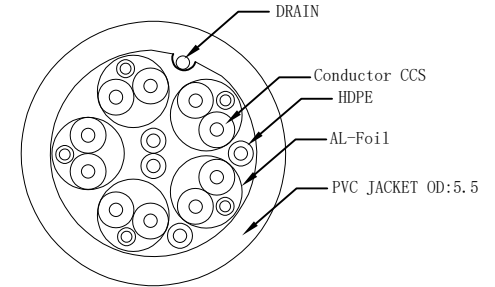
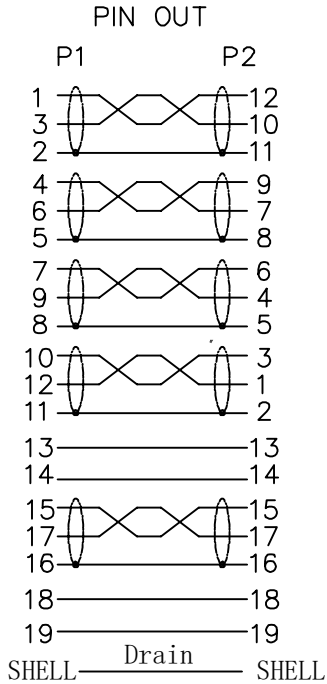
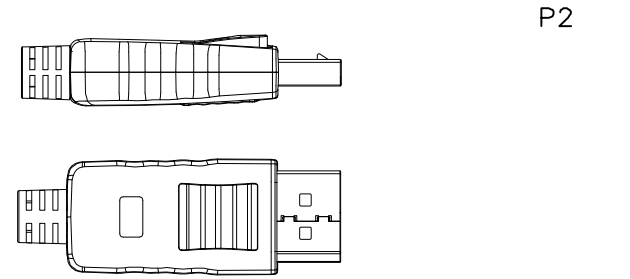
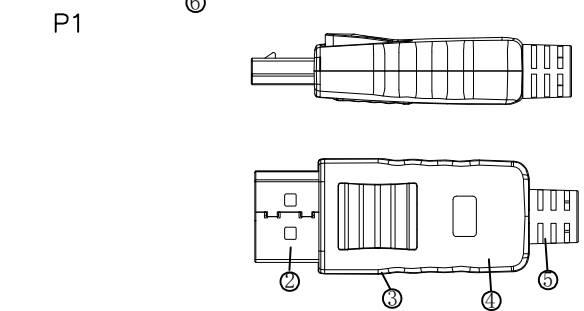


UNIT	MM
------	----



NOTE:

1. Electrical test:
 - (1). 100% open short & miss wire test;
 - (2). Insulation resistance: DC 300V 0.01s 10M ohm min;
 - (3). Contact resistance: 3 ohm max;
2. Computer + Monitor test
 - (1). Resolution: 3840*2160@60Hz
3. Marking: Display Port Cable AWM STYLE 20276 80°C 30V VW-1
4. RoHS2.0 and REACH Compliant

MATERIAL LIST:

⑥	Dust Cap	LD PE	2	
⑤	TUBE END	BLACK PVC 45P	2	
④	INNER COVER	LD PE	2	
③	OUTER COVER	DP 20PIN MALE BLACK ABS ASSEMBLY TYPE	2	
②	CONNECTOR	DP 20P/M WITH LATCHING SOLDER TYPE, BLACK INSULATION, THE PIN GOLD PLATED, THE SHELL FOR GoId PLATED	2	
①	CABEL	[(30AWG CCS)*1P+D+FAM]*5+(30AWG CCS)+HDPE*4C+AD PVC/BLACK JACKET, OD:5.5±0.2MM	1	



ITEM NO.	LENGTH
11. 55. 3685	1000±20mm
11. 55. 3686	2000±30mm
11. 55. 3687	3000±50mm

DESC. STANDARD DisplayPort, v1.2 Cable, 4K60Hz, M/M, black

NO.	PARTS NAME	SPECIFICATION DESCRIPTION	QT' Y	REMARK
Gao	Arvin	CHANGE THE ITEM NO	2025-12-09	A1
		NEW	2022-09-29	A
BY	CHK	REVISION RECORD MODIFICATIONS	DATE	REV.

