



Datenblatt - Fiche technique - Data sheet

17.03.0105



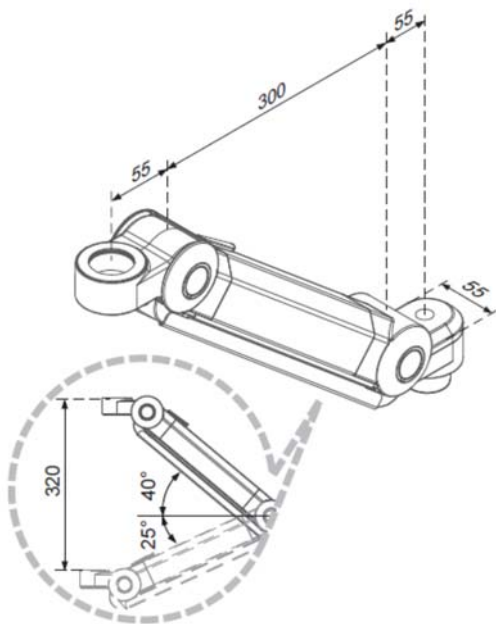
**ROLINE Modulares Arbeitsplatz-System,
Gasfederarm, 1 Gelenk,**

**ROLINE Modular System Highgas Arm,
1Joint ROLINE Bras LCD pivotant, 3 pivots, montage mural,**

ROLINE Modular System Highgas Arm,1Joint,

Item no.: 17.03.0105

ROLINE Modular System, High Gas-Spring Arm, 1x joint, white



unit:mm

Features:

- Assembly part for display mount which are used for various applications in the Industrial, Office, Education, Hospital, and other fields
- One joint, max. loading up to 16 kgs
- High gas-spring built-in
- Material: aluminum
- Colour: white

