



Datenblatt - Fiche technique - Data sheet

19.06.1031



Crimpzange für HiRose RJ-45 Stecker TM21 und TM31, Blau

Pince de sertis. pour connecteurs RJ-45 HiRose TM21 et TM31

Crimping Tool for Hirose RJ-45 Plug TM21 and TM31, blue

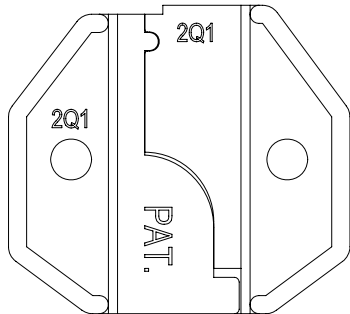
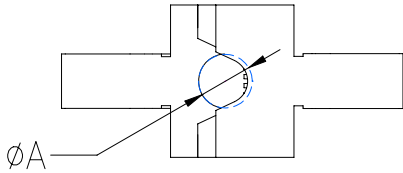
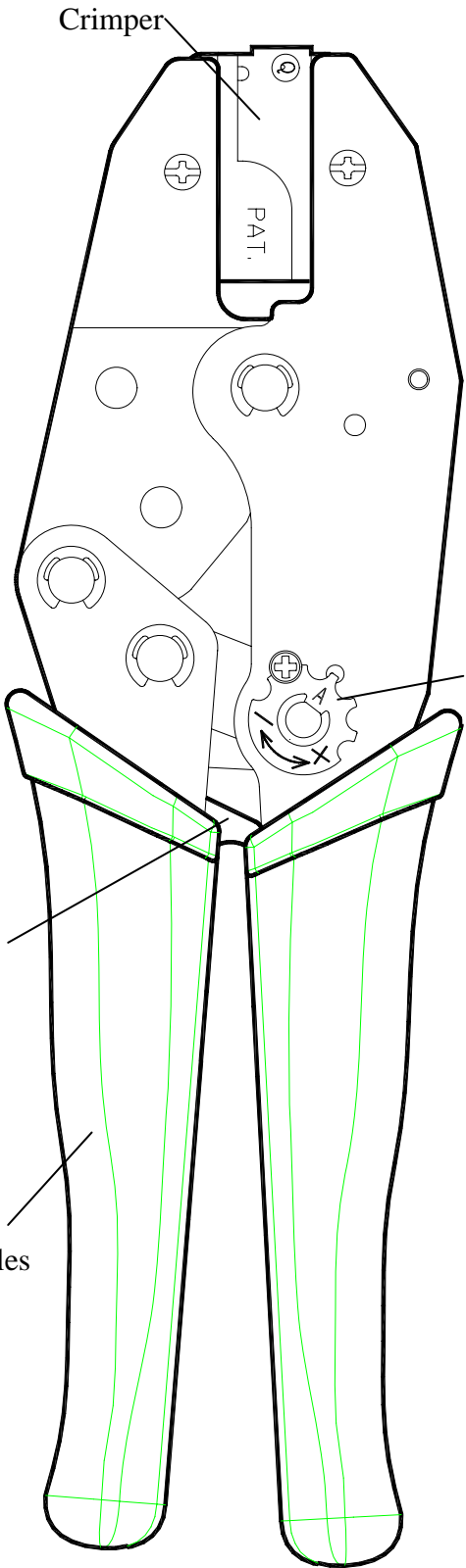
19.06.1031 RATCHET CRIMPING TOOL

SPECIFICATION:

* **Item No** : 19.06.1031

* **Function** :

HIROSE 8P8C/RJ-45 Shielded Plugs.



A = ϕ 7mm

* **Length** : 8.7"(220mm)

* **Weight** : 500g

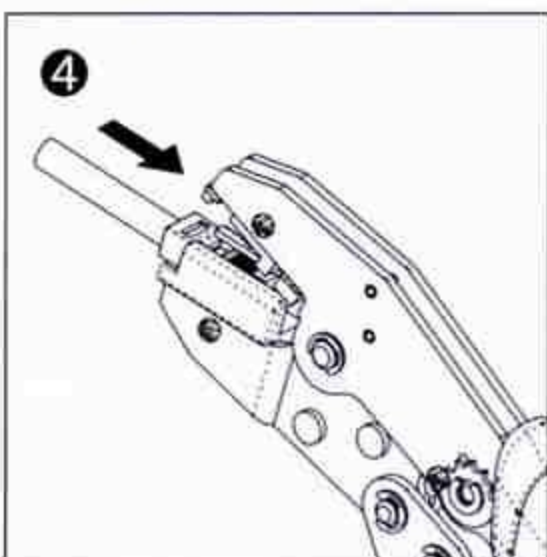
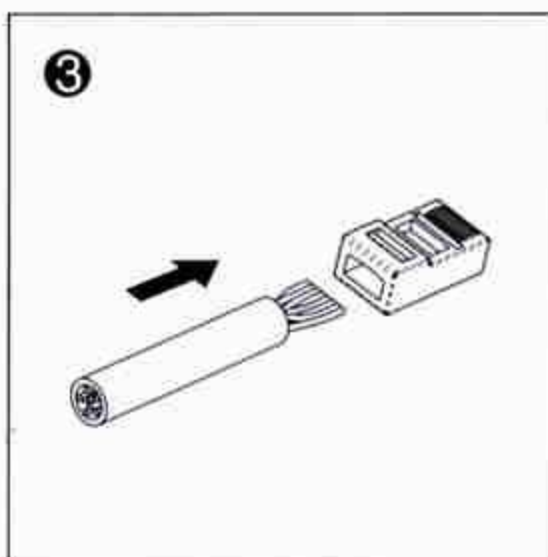
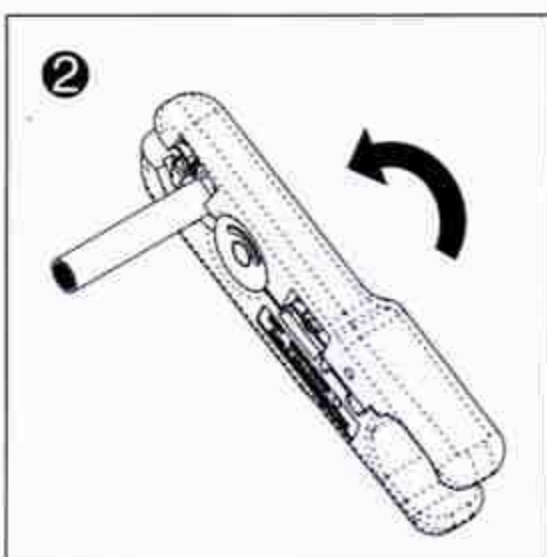
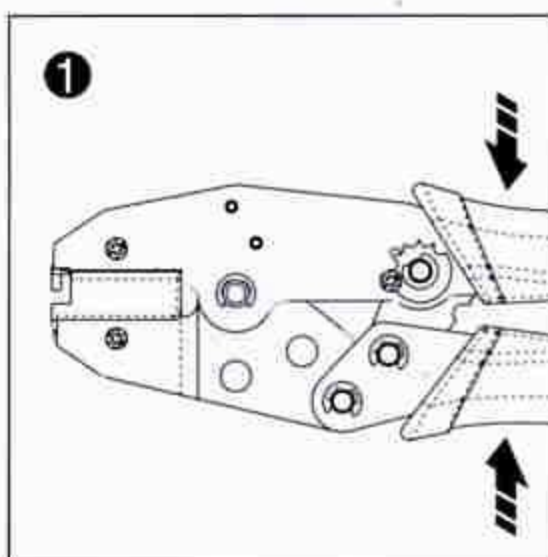
* **Material** :

Frame -Made Of 2.8mm Middle Carbon Steel .
Crimper- Made Of Off Wax.

* **Finished** :

Black Oxide Finished With Hardened

16/03/09
Monica



Instructions

1. Squeeze handles until it stops to open the jaws.
2. Use HT-S501A to strip and cut the UTP/STP wires.
3. Remove the outer jacket, insert the stripped cable into the plug. Make sure the left wire at one end matches the right wire at the other end.
4. Place modular plug with cable into the jaws. Squeeze handles until it stops and then remove the crimped plug from the tool.

HT-	CRIMPING MODULAR PLUG
236-4P	FOR 4P4C/RJ22
236-6P	FOR 6P2C, 6P4C/RJ11, 6P6C/RJ12
236-8P	FOR 8P8C/RJ45
236-68P	FOR 6P2C, 6P4C/RJ11, 6P6C/RJ12, 8P8C/RJ45
236-8PAMP	FOR AMP 8P8C/RJ45 (Secondary strain relief)
236-10P	FOR 10P 10C
236BT	FOR 6P BRITISH PLUGS
236DEC	FOR 6P6C DEC/OFF SET
236M5	MOLEX 8P8C/RJ45 PLUG & CABLE O/D AROUND 5.2φ
236M6	MOLEX 8P8C/RJ45 PLUG & CABLE O/D AROUND 5.8φ
236Q	HC-002-8S 8P8C/RJ45 SHIELDED PLUGS (Hirose type short body)
236Q1	HIROSE 8P8C/RJ45 SHIELDED PLUGS (Old item no HT-336Q)
236Q3	ADSL 6P4C/RJ11 SHIELDED PLUGS (Old item no HT-336Q3)
236S	STEWART 8P8C/RJ45 SHIELDED PLUGS