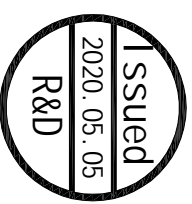
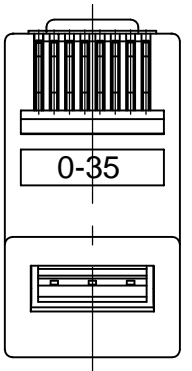
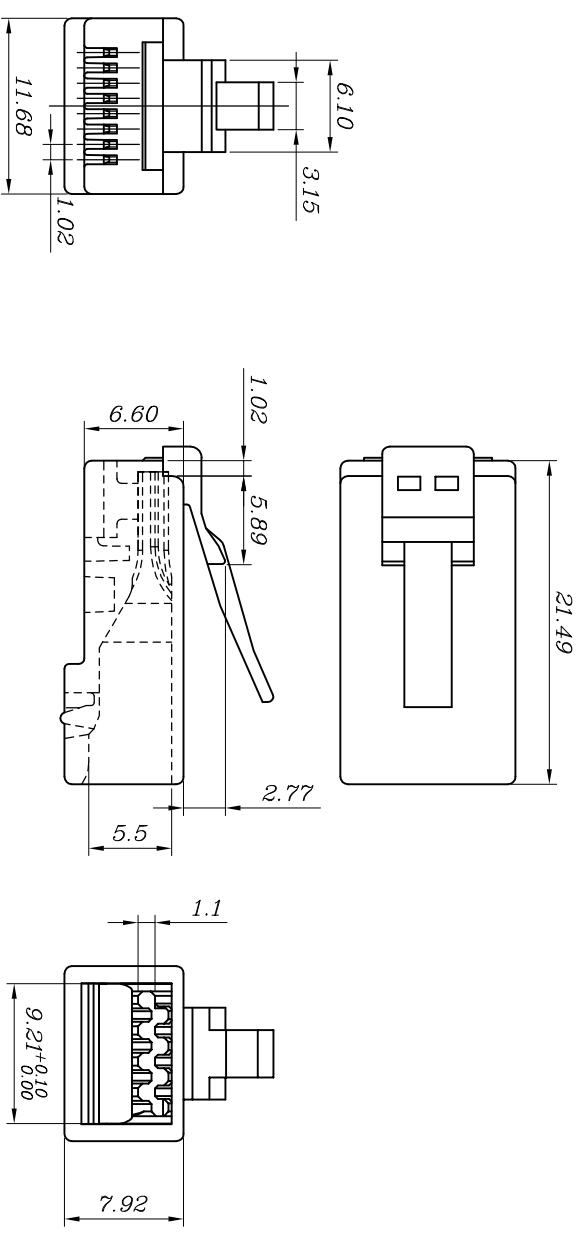


REV	DATE	MODIFICATION	DRAWN
	2017/11/08		Zach

SPECIFICATIONS

1. ELECTRICAL:
UL APPLICATIONS: 250 VOLTS AC MAX. AT 2 AMPS.
DIELECTRIC WITHSTANDING VOLTAGE: 1000 VOLTS AC. 60 SEC.
INSULATION RESISTANCE: 500 MΩ.
CONTACT RESISTANCE: 20mΩ MAX.
OPERATING AMBIENT TEMPERATURE: -20°C - 75°C.
2. MECHANICAL:
STRAIN RELIEF: 20POUND MIN.
DURABILITY: 1200 MATING CYCLES.
3. MATERIAL:
HOUSING: POLYCARBONATE, UL 94V-0 OR UL 94V-2.
COLOR: TRANSPARENT OR OTHER COLOR ARE AVAILABLE.
CONTACT BLADE: COPPER ALLOY.
GOLD PLATING: 3u"-50u", ARE AVAILABLE.
4. USAGE:
SUITABLE FOR STRANDED & SOLID WIRE 23AWG - 26 AWG.
(It can be used for the wire OD from Ø0.96 - Ø1.02)



BLADE:	EB	YB	Z	AE	AB	EC
Drawing						
Mark			✓			

GOLD PLATING	3Mu"	3u"	6u"	15u"	30u"	50u"	CABLE TYPE	ROUND	FLAT
Mark						✓	Mark	✓	

SECCOMP

DIMENSION IN mm (Inch)	MATERIAL	DWG NO
TOLERANCE UNLESS OTHERWISE SPECIFIED	PC	PLUG-017A-0001
X±0.20		
.XX±0.10		
X°±5°		
.XX°±2°		
TITLE		
21.17.3060		

APPROVAL	CHECKED	DRAWN	SCALE	SHEET
Carine	Zach	cathylli	2/1	1/1
		PRCL		REV
				A

ST-DR-009A