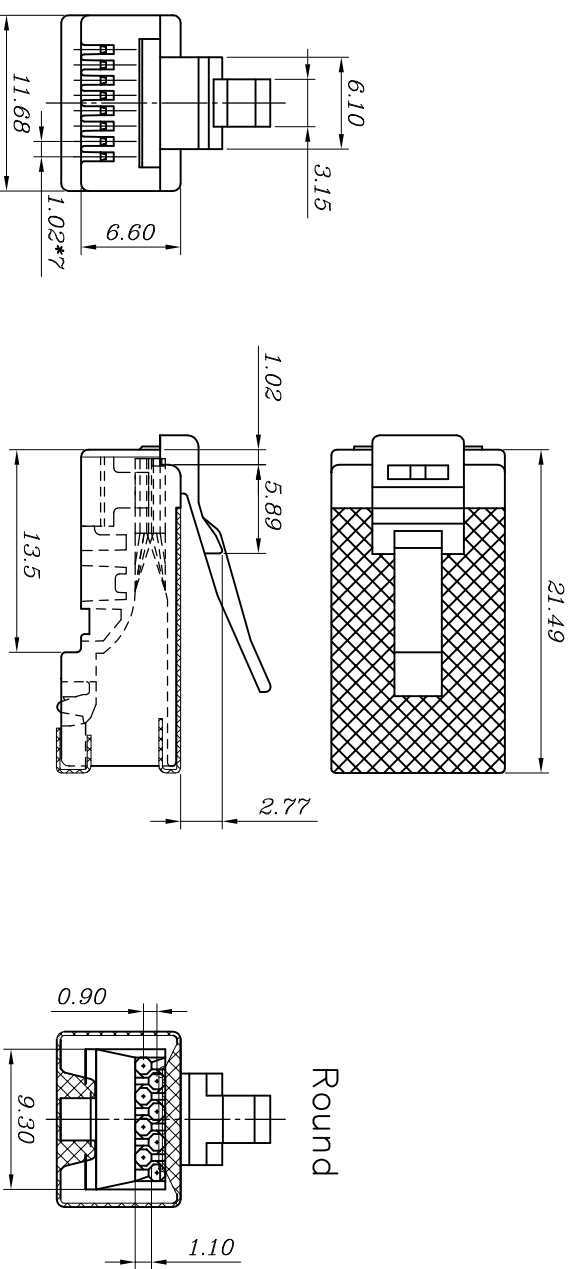
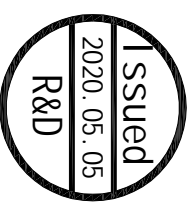
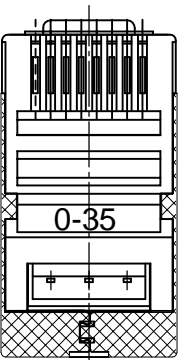


REV	DATE	MODIFICATION	DRAWN
A	2014/10/17		

Round



- SPECIFICATIONS**
- ELECTRICAL:**
 UL APPLICATIONS: 250 VOLTS AC MAX. AT 2 AMPS.
 DIELECTRIC WITHSTANDING VOLTAGE : 1000 VOLTS AC. 60 SEC.
 INSULATION RESISTANCE: 500 MΩ.
 CONTACT RESISTANCE: 20mΩ MAX.
 OPERATING AMBIENT TEMPERATURE: -20°C ~ 75°C.
 - MECHANICAL:**
 STRAIN RELIEF: 20° ROUND MIN.
 DURABILITY: 1200 MATING CYCLES.
 - MATERIAL:**
 HOUSING: POLYCARBONATE: UL94V-0 OR UL94V-2.
 COLOR: TRANSPARENT OR OTHER COLOR ARE AVAILABLE.
 CONTACT BLADE: COPPER ALLOY.
 GOLD PLATING: 3μ"~50μ" ARE AVAILABLE.
 SHIELDED SHELL: COPPER ALLOY.
 - USAGE:**
 SUITABLE FOR STRANDED & SOLID WIRE 23AWG ~ 26 AWG.
 (It can be used for the wire OD from Ø0.96 ~ Ø1.02)



BLADE:	EB	YB	Z	AE	AB	EC
Drawing						
Mark			✓			

GOLD PLATING	3Mu"	3u"	6u"	15u"	30u"	50u"	CABLE TYPE	ROUND	FLAT
Mark						✓	Mark	✓	

SECCOMP

DIMENSION IN mm (Inch)		MATERIAL	DWG NO.
TOLERANCE UNLESS OTHERWISE SPECIFIED		PC	PLUG-071-0003
X±0.20	.X°±5°	TITLE	21.17.3061
.XX±0.10	.XX°±2°		
APPROVAL	CHECKED	DRAWN	SCALE
		Cathlyi	2/1
			PREL. SHEET
			REV. 1/1

ST-DR-009A