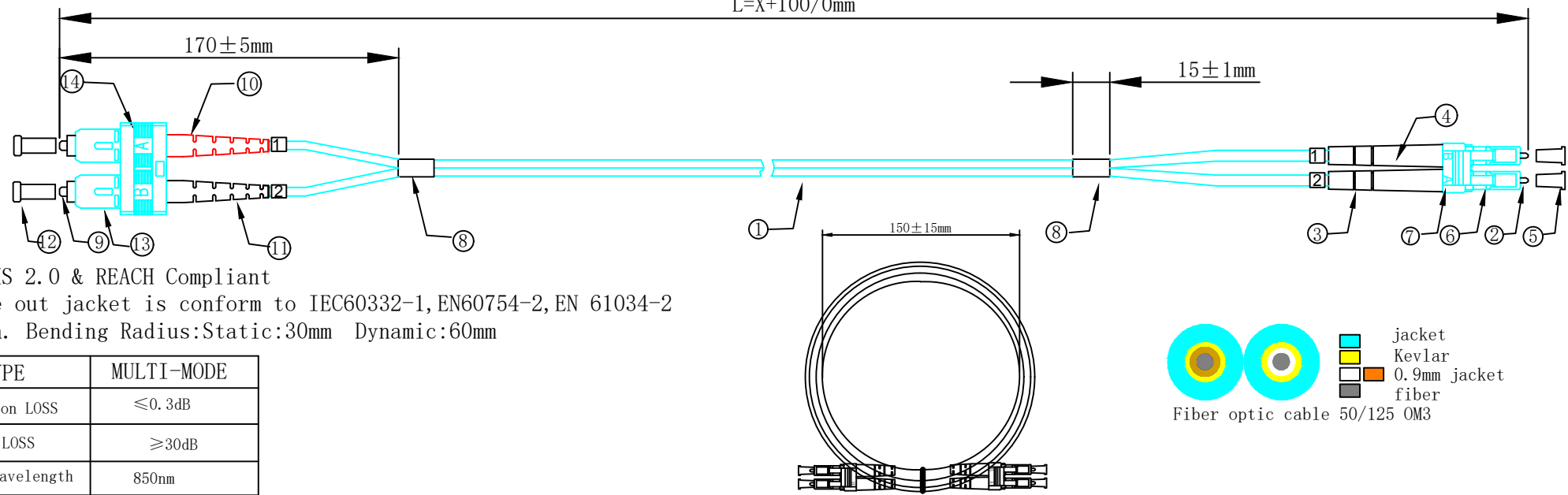
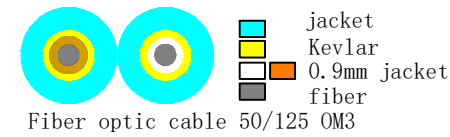


$L=X+100/0\text{mm}$



- Note:
1. ROHS 2.0 & REACH Compliant
 2. The out jacket is conform to IEC60332-1, EN60754-2, EN 61034-2
 3. Min. Bending Radius: Static: 30mm Dynamic: 60mm

TYPE	MULTI-MODE
Insertion LOSS	≤0.3dB
Return LOSS	≥30dB
Test Wavelength	850nm



⑮	Ring 1 2 Yellow	4pcs		
⑭	SC Aqua Clip	1pcs		
⑬	SC MM Aqua Duplex Connector	2pcs		
⑫	SC Dust Cap	2pcs		
⑪	SC Black Boot	1pcs		
⑩	SC Red Boot	1pcs	21.99.8718	VALUE Fibre Optic Jumper Cable, 50/125µm, LC-SC, OM3, Aqua, 10m
⑨	SC MM Ferrule	2pcs	21.99.8715	VALUE Fibre Optic Jumper Cable, 50/125µm, LC-SC, OM3, Aqua, 5m
⑧	Blcak Heat Shrink Tube	2pcs	21.99.8713	VALUE Fibre Optic Jumper Cable, 50/125µm, LC-SC, OM3, Aqua, 3m
⑦	LC Aqua Duplex Clip	1pcs	21.99.8712	VALUE Fibre Optic Jumper Cable, 50/125µm, LC-SC, OM3, Aqua, 2m
⑥	LC MM Aqua Duplex Connector	2pcs	21.99.8711	VALUE Fibre Optic Jumper Cable, 50/125µm, LC-SC, OM3, Aqua, 1m
⑤	LC Dust Cap White	2pcs	21.99.8710	VALUE Fibre Optic Jumper Cable, 50/125µm, LC-SC, OM3, Aqua, 0.5m
④	LC White Boot	1pcs		
③	LC White Boot	1pcs		
②	LC MM Ferrule	2pcs		
①	Fiber Optical Cable Duplex ϕ 3.0mm OM3 50/125um Aqua LSZH	L+0.1m		

NO.	SPECIFICATION STANDARD	QT' Y	REMARK
	Add ITEM NO.	2017-8-30	A2
	UPDATE RING	2014-11-24	A1
	NEW	2014-03-14	A
BY	CHK	REVISION RECORD MODIFICATIONS	DATE
			REV.

ITEM NO.	Product description
----------	---------------------

