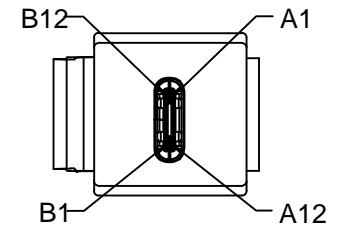
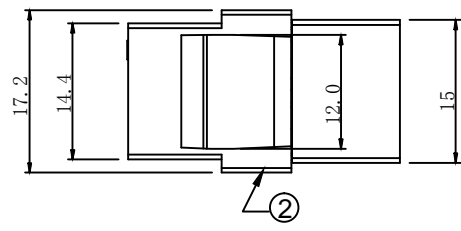
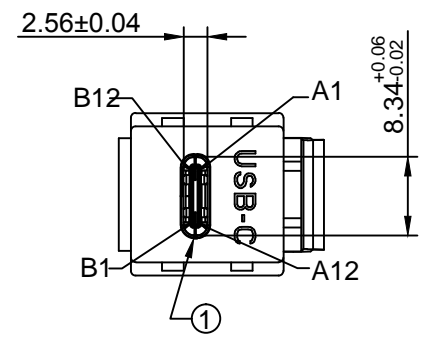
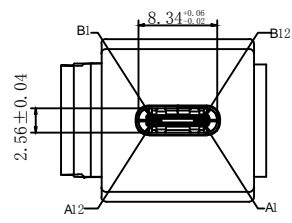
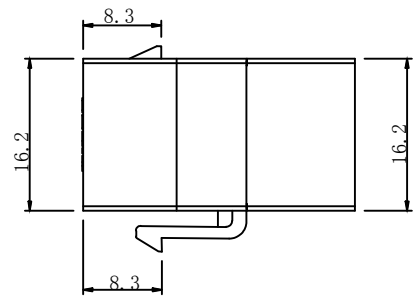
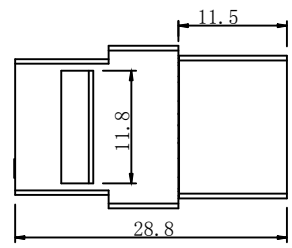
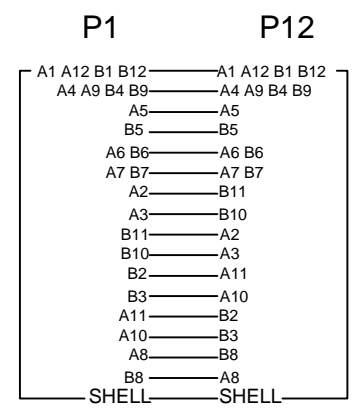


CONFIGURATION DETAILS OF
UNDIMENSIONED FEATURES
MAY VARY

REVISIONS			
REV	DESCRIPTION	DATE	APPROVED
A0			



PIN OUT



NOTE:
1. Electronic test
1.1 open/short 100% test
2. Max. supported resolution: 4K @ 60Hz
Support of power delivery: 5V/3A
Data transfer rate: 5Gbps Max.

RoHS2.0(2011/65/EU) AND (2015/863/EU) WITH REACH COMPLIANT

NAME	VALUE Keystone Module Coupleur USB C, horizontal		
ITEM NO.	25.99.8210		
	MAPE	TOLERANCE	
		X. ±1.00 X.X ±0.50	
DRAW BY	SCALE	MM	
	PAGE	1/1	

NO.	PART NAME	DESCRIPTION	QUANTITY	REMARKS
②	OUTER MOLD	ABS ,BLACK	1	
①	USB C FEMALE	USB TYPE C FEMALE,GOLD PLATED PIN, NICKEL PLATED SHELL.	2	