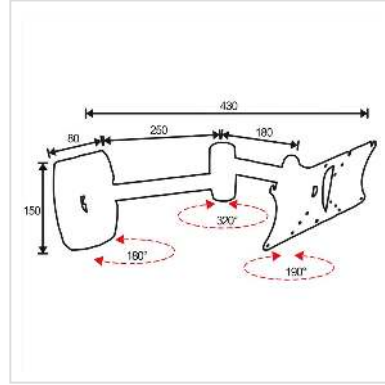
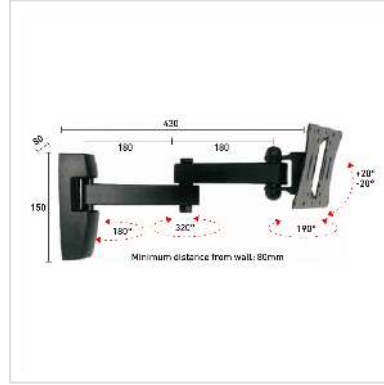


# ROLINE LCD Monitor Arm, Wall Mount, 4 Joints

<b>Product No.</b>	17.03.0008
<b>Manufacturer</b>	ROLINE
<b>Manufacturer No.</b>	17.03.0008
<b>EAN (single piece)</b>	7611990141319



- Quick and simple installation
- Meets VESA 75/100/200x100
- Wall mount fixing
- Material: steel
- Colour: black

TV size: 25 - 81 cm (10"- 32")

Load capacity: up to 20 kg

No. of pivots: 4

Max. arm length: 43 cm

Tiltable up and down: 20°

## Technical specifications

Manufacturer	ROLINE
Product group	LCD-Monitor arms
Product type	Monitor Arms, wall mount
Colour	black
Maximum weight capacity	20 kg
Quantity of pivots	4
Adjustments	Adjustable spring gauge

Inclinable	yes
Rotatable	yes
Wall distance	8 cm
Number of monitors	1
Max. Screen diagonal (cm)	81 cm
Max. Screen diagonal (inch)	32 inch
Min. Screen diagonal (cm)	25 cm
Min. Screen diagonal (inch)	10 inch
VESA 75 x 75 mm	yes
VESA 100 x 100 mm	yes
VESA 200 x 100 mm	yes
Material group	metal
Weight	1325.1 g
Height of packaging (single piece)	60 mm
Width of packaging (single piece)	240 mm
Depth of packaging (single piece)	280 mm
Package weight (single piece)	1.576 kg