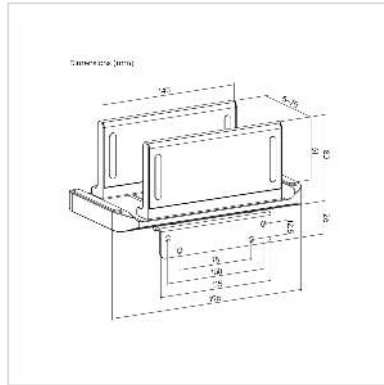


ROLINE Multifunctional CPU Mount, for Thin Clients, NUCs or Mini PCs

Product No.	17.03.0035
Manufacturer	ROLINE
Manufacturer No.	17.03.0035
EAN (single piece)	7630049640900



Suitable for most thin clients, NUCs, or mini PCs - with this mount, you can securely position your CPU in a convenient and easily accessible location.

- Adjustable for device widths from 5 to 70 mm (0.2" - 2.8")
- Versatile installation options, e.g., using a VESA plate (VESA 75/100) on the back of a monitor or placed freely on a desk
- Sliding mechanism for easy adjustment
- Non-slip silicone pads protect both the work surface and the device from scratches and wear marks
- Material: Plastic, Steel
- Color: Black
- Dimensions: 196 x 109 x 106 mm
- Load Capacity: 3 kg
- Mounting material included

Technical specifications

Manufacturer	ROLINE
Product group	Office furniture
Product type	CPU Holders
Colour	black
Scope of delivery	Mounting bracket, mounting screws, installation instructions

Maximum weight capacity	3 kg
Material group	Plastic
Height	196 mm
Width	109 mm
Depth	106 mm
Weight	416 g
Height of packaging (single piece)	50 mm
Width of packaging (single piece)	120 mm
Depth of packaging (single piece)	200 mm
Package weight (single piece)	0.4 kg