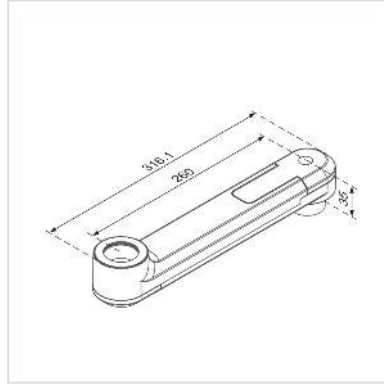


ROLINE Modular System Extension Arm, 1Joint

Product No.	17.03.0103
Manufacturer	ROLINE
Manufacturer No.	17.03.0103
EAN (single piece)	7611990124992



ROLINE Modular System: flexible solutions to meet your own various applications!

ROLINE Modular System: These series provides flexible solutions to meet your own various applications:

- Warehouse & Inventory control / Assembly Line / Test Lab
- Financial / Trading / Conference Room / Reception
- Library / Cafeteria / Laboratory
- Retail / Wholesale / Public Spaces
- The combination of the different elements of this series allows you the ultimate functionality, flexibility and performance

2 ranges can be built: Track Mount Type / Wall Mount Type

- Built for normal duty and heavy duty computer workstation use
- Safe and ergonomic

Track Mount Type

- Slide the monitor arm into place on track easily
- Ideal solution perfect for use in different environments
- Gas-spring assisted arm offers easy height adjustment and ergonomic comfort
- Accommodate users of sitting and standing work postures to create a healthy workplace

- Organized cable management
- The minimum need to realise this is the use of the correspondent elements (ROLINE Modular System Wall Track - 17.03.0102 / ROLINE Modular System TrackMount Bracket - 17.03.0101) in combination with extension arms (with or without gas spring), display bracket, display/keyboard holder...

Wall Mount Type

- Designed for use in space-constrained environment settings
- Superior design to provide easy adjustment
- The arms fold back to the wall into a compact retracted position for space saving
- Multiple configurations maximize productivity and flexibility
- Integrated cable management offers easier cleaning and a neat look
- The minimum need to realise this is the use of the correspondent element (ROLINE Modular System WallMount - 17.03.0100) in combination with extension arms (with or without gas spring), display bracket, display/keyboard holder...

Additional Accessories

- The elements mentioned below can be used as accessories for a better space organisation if you are using components like CPU / power adapter (power supply for monitor or CPU) / mouse

Power Adapter Holder 17.03.0109

Mouse Holder 17.03.0111

CPU Holder 17.03.0112

Technical specifications

Manufacturer	ROLINE
Product group	LCD-Monitor arms
Product type	Modular System
Colour	grey
Adjustments	Adjustable spring gauge
Material group	metal
Weight	1121.6 g

Height of packaging (single piece)	90 mm
---------------------------------------	-------

Width of packaging (single piece)	80 mm
--------------------------------------	-------

Depth of packaging (single piece)	350 mm
--------------------------------------	--------

Package weight (single piece)	1.25 kg
----------------------------------	---------