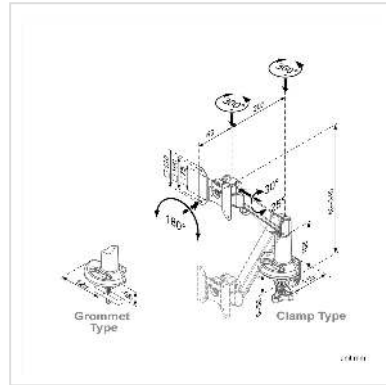


# ROLINE LCD Monitor Stand Pneumatic, Desk Clamp, Pivot, 1 Joint

<b>Product No.</b>	17.03.1149
<b>Manufacturer</b>	ROLINE
<b>Manufacturer No.</b>	17.03.1149
<b>EAN (single piece)</b>	7611990128778



- Delicate and streamlined design
- Made of high quality aluminum alloy
- Gas spring integrated allows users to move the LCD panel in most positions at will
- Meets VESA 75 (75x75 mm) or VESA 100 (100x100 mm)
- Special feature: Pivot function - screen is 90 degrees rotatable
- Small desktop mount saves space
- A clever cable management is built into the rear arm

## Specifications:

- Arm extension: ~ 266 mm
- Lift: 50 ~ 350 mm
- Monitor pivot: 180°
- Rotation: 360° (arm & display)
- Loading capacity: 3 ~ 8 kg

## Technical specifications

Manufacturer	ROLINE
Product group	LCD-Monitor arms
Product type	Monitor Arms, Desk Clamp
Colour	silver
Load capacity	8 kg

Quantity of pivots	3
Fixing	Desk clamp
Maximal arm length	266 mm
Adjustments	Gas spring
Inclinable	yes
Height adjustable	yes
Rotatable	yes
Number of monitors	1
VESA 75 x 75 mm	yes
VESA 100 x 100 mm	yes
Material group	metal
Technical particularity	Pivot functionality
Weight	2542.1 g
Height of packaging (single piece)	160 mm
Width of packaging (single piece)	310 mm
Depth of packaging (single piece)	530 mm
Package weight (single piece)	3.1 kg