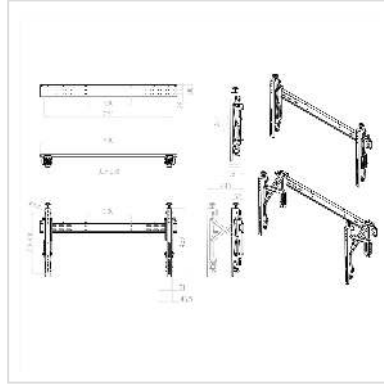


# ROLINE Digital Signage Video Wall Solution

<b>Product No.</b>	17.03.1252
<b>Manufacturer</b>	ROLINE
<b>Manufacturer No.</b>	17.03.1252
<b>EAN (single piece)</b>	7611990133468



For what types of businesses are these products commonly used?

- Trade Shows & Convention Centers
- Retail Stores - for shoppers to participate in giveaways or learn more about the range of offered products

Highlights:

- Aligning of the the displays very quickly
- Lock screw to set position if desired
- TFT Orientation: Vertical
- Universal mount style fits various sizes of most displays with VESA max.600x400 mm
- Push-out open mount providing easy maintenance access
- Max. Weight load capacity:50 kg
- The solution consists of two brackets; so you need as for a small video wall (2x 2 monitors) twice this article
- Colour: black

## Technical specifications

Manufacturer	ROLINE
Product group	LCD-Monitor arms
Product type	Monitorbrackets

Colour	black
Scope of delivery	2x supports
Load capacity	50 kg
Quantity of pivots	1
Adjustments	Adjustable spring gauge
Inclinable	yes
Number of monitors	2
VESA 100 x 100 mm	yes
VESA 200 x 200 mm	yes
VESA 400 x 200 mm	yes
VESA 400 x 400 mm	yes
VESA 600 x 400 mm	yes
Material group	metal
Height	450 mm
Width	900 mm
Depth	240 mm
Weight	12.55 kg
Height of packaging (single piece)	160 mm
Width of packaging (single piece)	260 mm
Depth of packaging (single piece)	1000 mm
Package weight (single piece)	15.3 kg