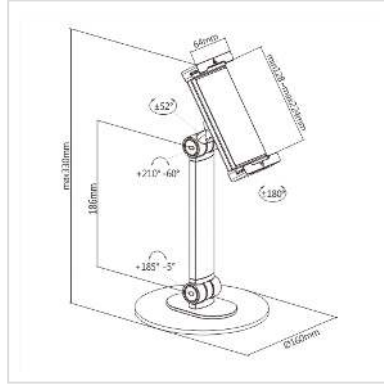


VALUE Tabletop Stand/Freestanding base for Tablet

Product No.	17.99.1193
Manufacturer	VALUE
Manufacturer No.	17.99.1193
EAN (single piece)	7630049627765



The slim and stylish design offers an elegant look. With the adjustable holder, tablets from 4.7"-12.9" can be accommodated with little to no effort. The large, solid base can hold tablets weighing 1 kg firmly in place.

- The stylish design offers elegant appearance
- Suitable for 4.7"-12.9" tablets
- Large solid base can hold tablets with a weight up to 1kg
- The soft rubber pads hold your device securely without scratches or damages
- Integrated ball joint allows rotating, tilting and swiveling in any direction
- Adjustable angle for optimal viewing positions
- Large solid base for enhanced stability

- Color: matte black
- Dimensions: 160 x 160 x 330mm (6.3"x 6.3"x 13")
- Fits screen sizes: 4.7"-12.9"
- Weight capacity: 1kg
- Tilt range: +210° ~ -60°
- Swivel range: +52° ~ -52°
- Screen rotation: +180° ~ -180°
- Adjustable holder width: 128~224mm (5" ~ 8.8")

Technical specifications

Manufacturer	VALUE
Product group	Tablet Holder
Product type	Accessories for iPad, Ebook, Tablet PC

Colour	black
Weight	300 g
Height of packaging (single piece)	50 mm
Width of packaging (single piece)	250 mm
Depth of packaging (single piece)	180 mm
Package weight (single piece)	1.02 kg