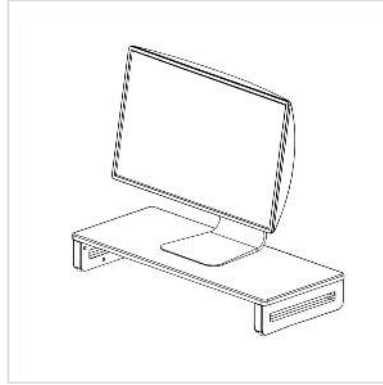
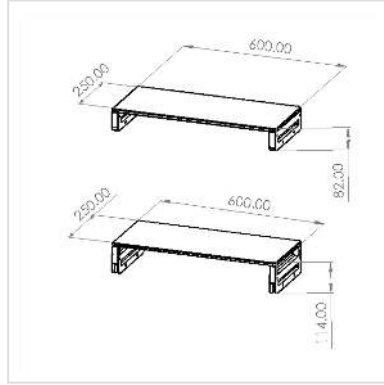


# VALUE Height-adjustable Monitor/Laptop Stand

<b>Product No.</b>	17.99.1340
<b>Manufacturer</b>	VALUE
<b>Manufacturer No.</b>	17.99.1340
<b>EAN (single piece)</b>	7630049611429



## Monitor/laptop stand made of wood, 2-step height adjustment and with cable suspension for a clean, tidy workplace

- Large platform footprint (600x250mm) for up to two monitors or laptop and devices such as speakers or pen holders
- Cable suspension on the rear for space-saving and tidy cable management
- Under the monitor platform there is plenty of space for documents or also for temporary storage of the keyboard
- Loadable up to 20kg
- Dimensions (WxHxD): 600 x 90/115 x 250mm
- Colour: black

### Technical specifications

Manufacturer	VALUE
Product group	LCD-Monitor arms
Product type	Monitor stand
Colour	black
Load capacity	20 kg
Adjustments	Adjustable spring gauge
Inclinable	no
Height adjustable	yes

Number of monitors	1
Material group	Wood
Height	115 mm
Width	600 mm
Depth	250 mm
Weight	1684.3 g
Height of packaging (single piece)	50 mm
Width of packaging (single piece)	260 mm
Depth of packaging (single piece)	610 mm
Package weight (single piece)	2 kg