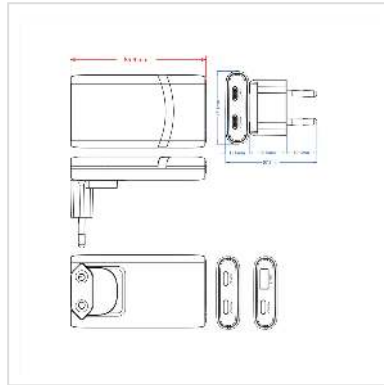


VALUE USB Wall Charger, EU/US Plug, 2x Ports (A+C), 65W, white

Product No.	19.99.1112
Manufacturer	VALUE
Manufacturer No.	19.99.1112
EAN (single piece)	7630049641013



2-ports USB charger, 1x Type A + 1x Type C with maximum 65W for powering a smartphone/tablet, external SSD/HDD or other devices

- For charging or as a power supply from a device via its USB input
- Perfect supplement for your Wireless Charger, as the scope of delivery often does not include plug-in power supplies
- Suitable, for example, for smartphone/tablet, external SSD/HDD enclosures and other devices
- Quick Charge 3.0/ Type-C (PD) supported
- Multi-Protection: Over Current / Short Circuit / Over Voltage / Overheat Protection

Technical data

- Plug-in power supply with two USB outputs, type A+C socket
- Input voltage: 100 - 240V AC, 50 - 60Hz
- Output USB-C:
3.3-11V 2.25A (PPS)
5V 3A, 9V 3A, 12V 3A, 15V 3A, 20V 3.25A (65W Max)
- Output USB-A: 5V 3A, 9V 2A, 12V 2.25A, 20V 1.35A (27W Max)
- Output USB-A+USB-C: 45 W+12 W (57W Max)
- Output power: 65 W
- Dimensions: 85.6 x 57.7 x 46.1 mm

Technical specifications

Manufacturer	VALUE
Product group	Voltage converter
Product type	USB charger
Colour	white
Scope of delivery	Wall Charger
Input	100-240 VAC
Output	65W
Dimensions (HxWxD)	85.6 x 57.7 x 46.1 mm
Output connector	2x USB (1x USB A + 1x USB C) Female
Supported charging technology	Quick Charge 3.0 Power Delivery
Regional use	Europe except Ireland, Malta, Cyprus, United Kingdom
Mains connection	Euro plug, Type-C
Height	46.1 mm
Width	57.7 mm
Depth	85.6 mm
Weight	108 g
Height of packaging (single piece)	20 mm
Width of packaging (single piece)	50 mm
Depth of packaging (single piece)	100 mm
Package weight (single piece)	0.12 kg