



Datenblatt - Fiche technique - Data sheet

11.09.4338

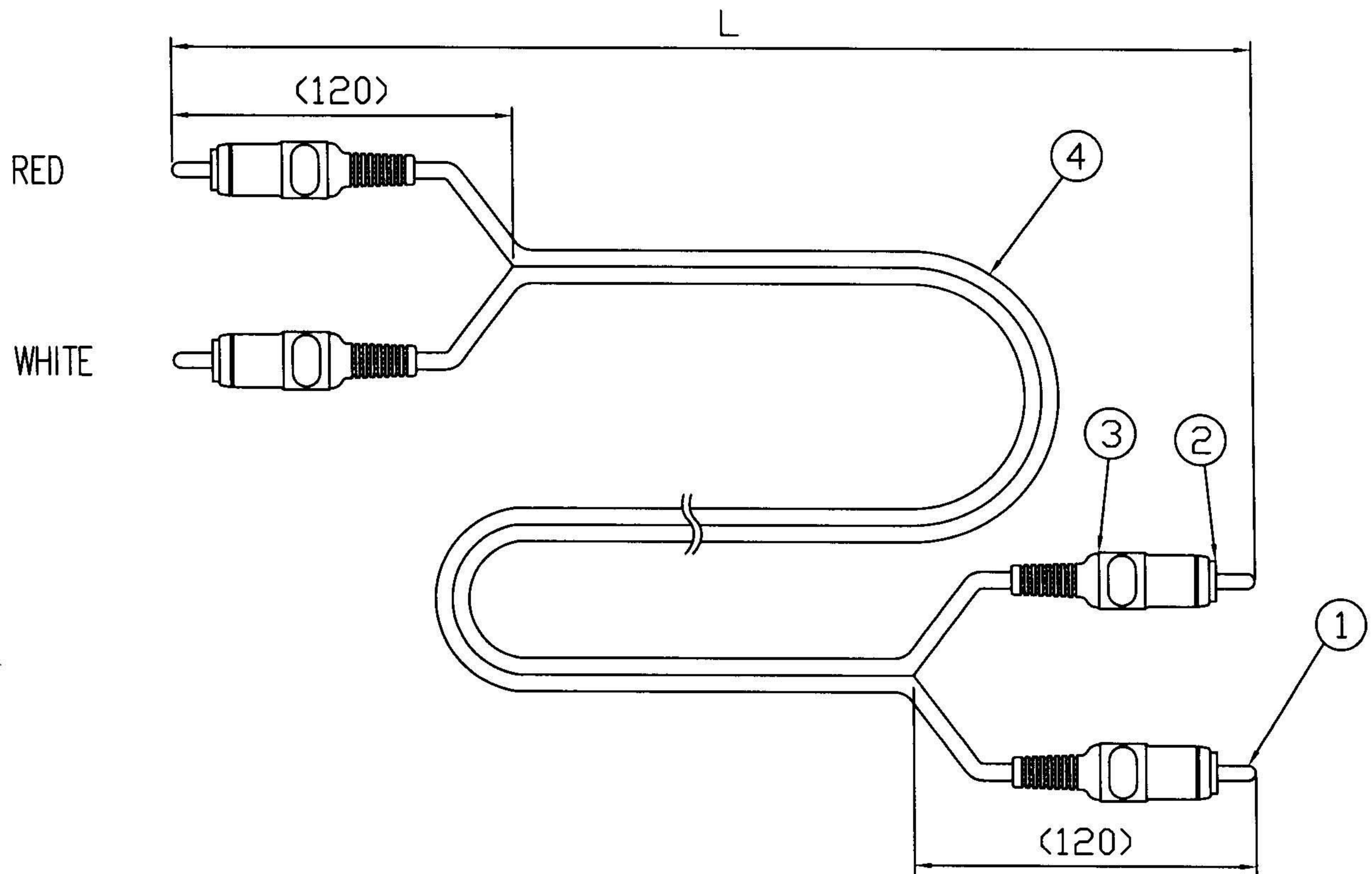


ROLINE Cinch-Verbindungskabel duplex ST/ST, 10m

ROLINE Câble 2x RCA M/M, 10m

ROLINE Cinch Extension Cable, 2x RCA M-M, 10 m

1. DIMENSION



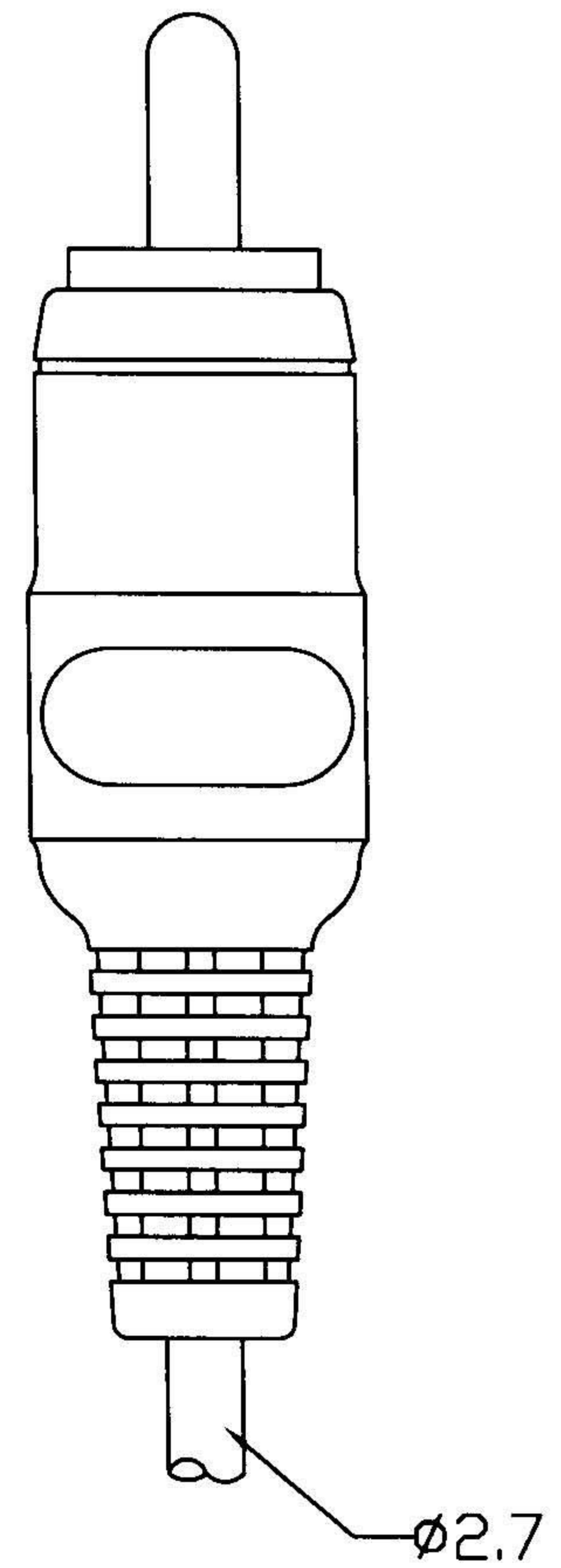
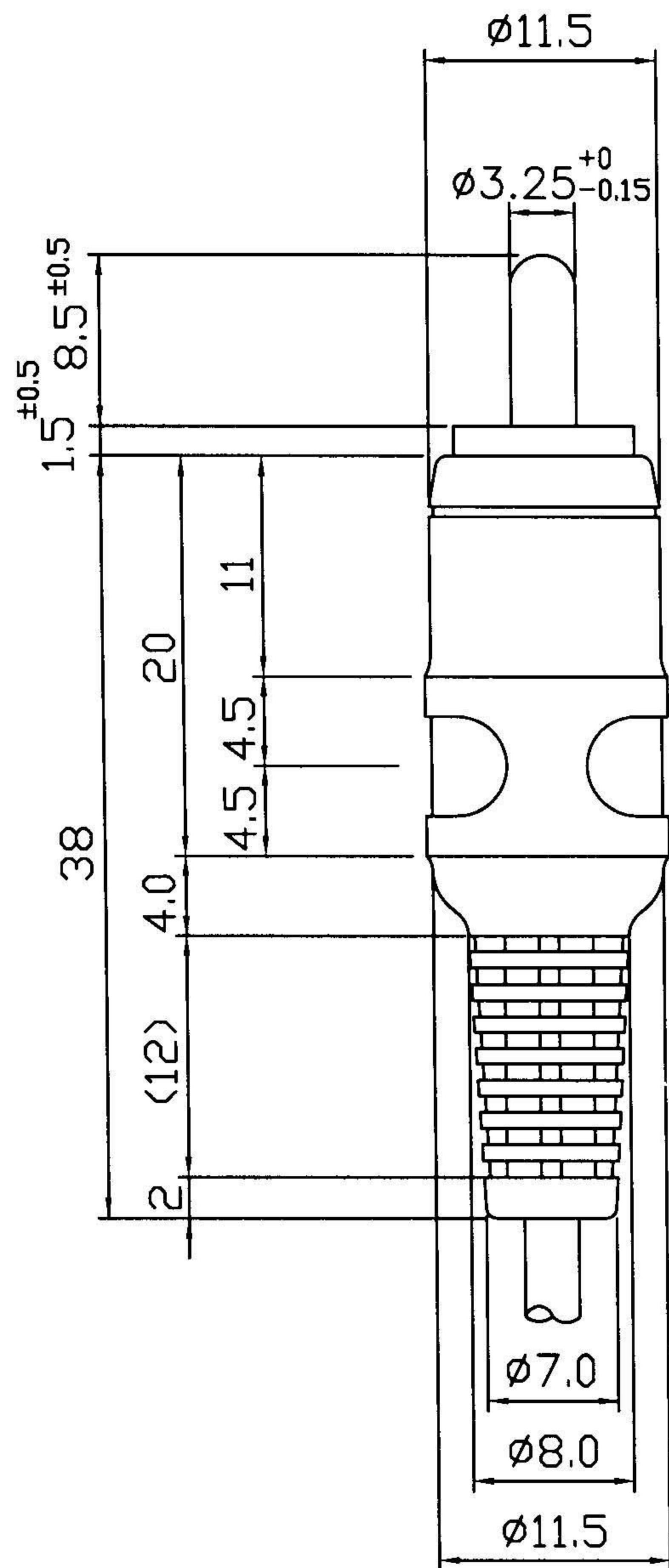
Item no.	L
11.09.4333	2500±50
11.09.4336	5000±150
11.09.4338	10000±200

2. PART LISTS

4	CABLE $\phi 2.7 \times 2.7$	PVC (BLACK)
3	RCA PLUG CAP	PVC (RED)(WHITE)
2	RCA RING	C2680R NICKEL PLATED
1	RCA PIN	C2680R NICKEL PLATED
NO.	PART'S NAME	MATERIAL. FINISHED. COLOR

△					表面 FINISHED		Rotronic Co., Ltd.
△					顏色 COLOR		
△					厚度 THICKNESS		
△					處理 PROCESS		
△					材質 MATERIAL		
△					公差 TOLERANCE		
△					比例 SCALE		
△					單位 UNIT	<i>mm</i>	
記號 MARK	修正 REVISION	日期 DATE	擔當 SIGN	承認 APPO	承 承 承	號 號 號	PART NO 11.09.4333,36,38
承 認	檢 圖	設 計	製 圖	製 圖	伸 金 生 技 何 俊 昇	名 稱	DESCRIPTION. AUDIO CONNECTION CABLE
03-4-30	03.04.29 許文勳	03.04.29 許文勳	92.4.29 何俊昇			圖 號	DRAWN NO. SP-1314
						號	SHEET 1/5

3. RCA PLUG DIMENSION



STS-3

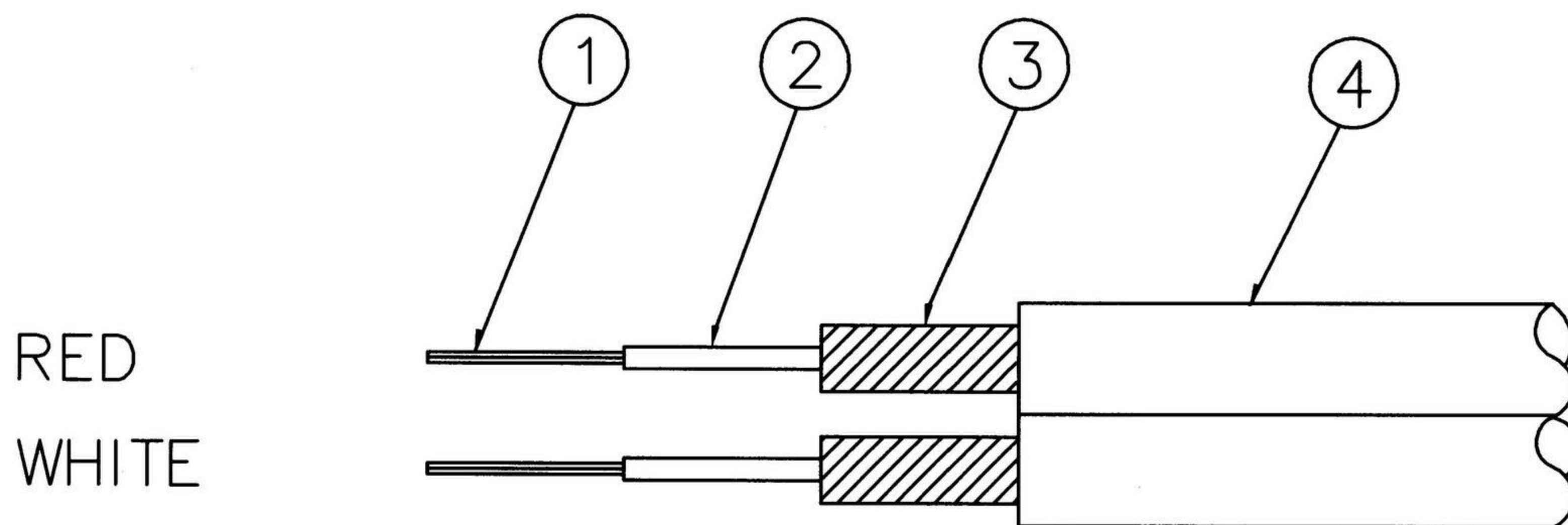
$L \leq 4$	± 0.2
$4 < L \leq 16$	± 0.3
$16 < L \leq 63$	± 0.4
$63 < L \leq 250$	± 0.5
$250 < L$	± 0.7

名稱 DESCRIPTION.
AUDIO CONNECTION CABLE

圖號 DRAWN NO.
SP-1314

SHEET
2

4 CORD SPEC



	DESCRIPTION	MATERIAL	SPECIFICATION
①	CONDUCTOR	OFC COPPER	0.12*10*2C
②	CORE DIA.	PE(R)(W)	$\phi 1.3^{\pm 0.1}$ *2C
③	SHIELD WIRE	OFC COPPER	0.12*28*2C
④	JACKET	PVC	$\phi 2.7^{\pm 0.1}$ * $2.7^{\pm 0.1}$ mm
	NON MIGRATION	BLACK	FOR ABS PLATE

名稱	DESCRIPTION. AUDIO CONNECTING CABLE	圖號	DRAWN NO. SP-1314	SHEET 3
----	-----------------------------------------------	----	-----------------------------	-------------------

5. CHARACTERISTICS

STANDARD ATMOSPHERIC CONDITIONS

UNLESS OTHERWISE SPECIFIED, THE STANDARD RANGE OF ATMOSPHERIC CONDITIONS FOR MAKING MEASUREMENTS AND TESTS ARE AS FOLLOWS:

AMBIENT TEMPERATURE : 5°C TO 35°C
 RELATIVE HUMIDITY : 45% TO 85%
 AIR PRESSURE : 86KPa TO 106KPa

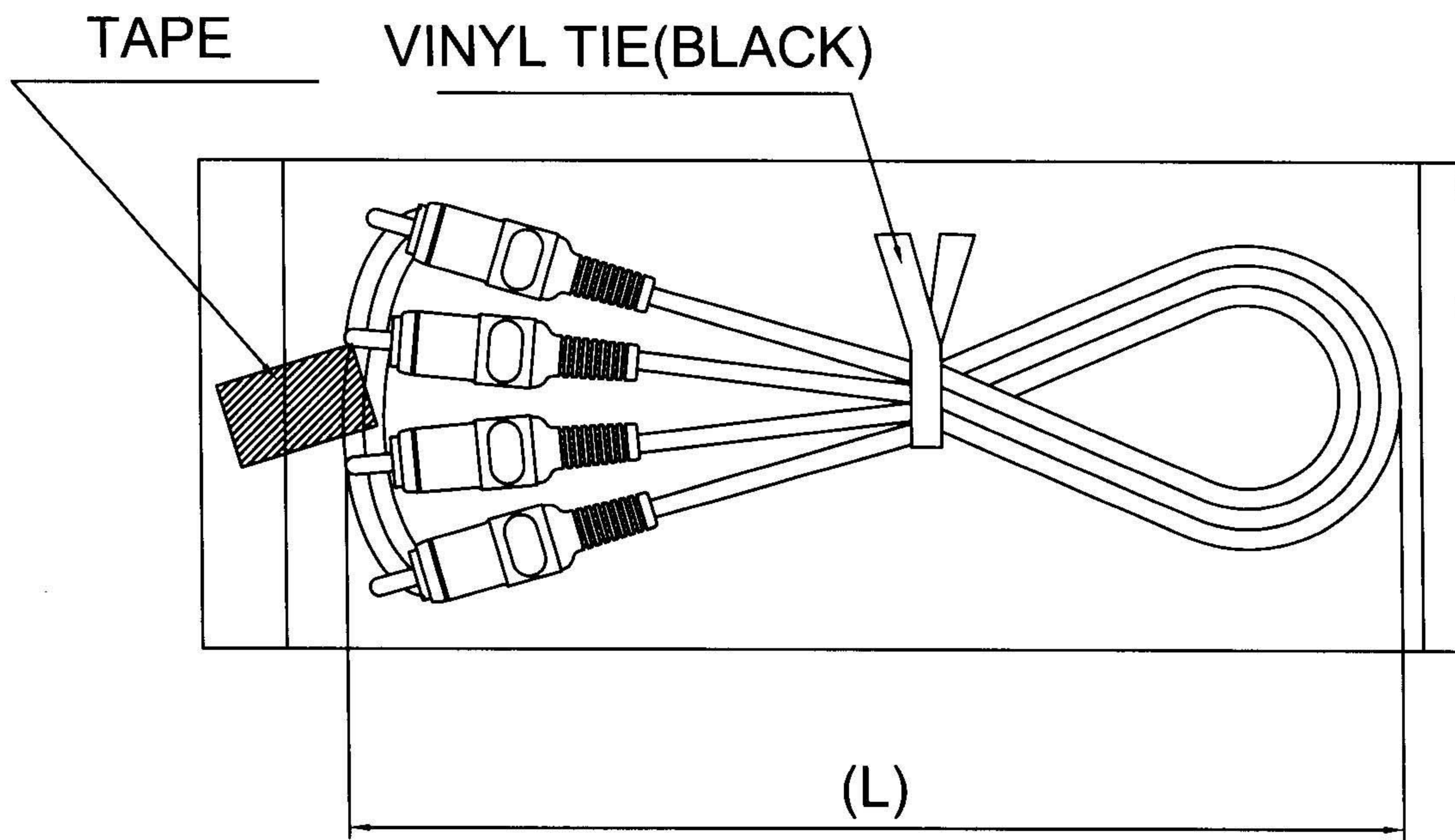
IF THERE IS ANY DOUBT ABOUT THE RESULTS. MEASUREMENTS SHALL BE MADE WITHIN THE FOLLOWING LIMITS:

AMBIENT TEMPERATURE : 20±2°C
 RELATIVE HUMIDITY : 60% TO 70%
 AIR PRESSURE : 86KPa TO 106KPa

NO	ITEMS	CONDITIONS	SPECIFICATIONS
1	APPEARANCE		NO DEFECTS SUCH AS CRACKS, SCRATCHES OR BLEMISHES.
2	INSERTION FORCE WITHDRAWAL FORCE	MEASUREMENT SHALL BE MADE AFTER INSERTING INTO ITS MATING PLUG OR SOCKET 3 TIMES. RCA PLUG	2.94N(0.3Kgf) ~ 29.4N(3.0Kgf)
3	TENSILE STRENGTH	BETWEEN CABLE & CONNECTOR 29.4N(3.0KGF) , 1 MINUTE	NO DAMAGE SUCH AS DISPLACEMENT OR INSULATION DAMAGE,ETC
4	FLEXING TEST	500G, 60° ,1000TURNS 15~20/PER MIN TURNS	NO DAMAGE SUCH AS DISPLACEMENT OR INSULATION DAMAGE,ETC
5	INSULATION RESISTANCE	DC 250V 1 MINUTE BETWEEN CONDUCTORS	50 MΩ OR MORE
6	DIELECTRIC STRENGTH	AC 250V SHALL BE APPLIED FOR 1 MINUTE WITH TRIP CURRENT 2 mA BETWEEN CONDUCTORS	WITHOUT DAMAGE SUCH AS ELECTRIC BREAKDOWN
7	ABS NON-MIGRATION	TEMPERATURE : 54 ± 1 °C TIME : 24± 1H WEIGHT : 500 ±25 G	WHEN VISUALLY INSPECTED. ANY STAINING OF THE AREA OF THE ABS THAT WAS IN CONTACT WITH THE TEST PIECES SHALL HARDLY BE RECOGNIZED

名稱	DESCRIPTION. AUDIO CONNECTION CABLE	圖號	DRAWN NO. SP-1314	SHEET 4
----	-----------------------------------------------	----	-----------------------------	-------------------

6. PACKAGE



Item no.	(L)
11.09.4333	156
11.09.4336	156
11.09.4338	156

名稱	DESCRIPTION. AUDIO CONNECTION CABLE	圖號	DRAWN NO. SP-1314	SHEET 5
----	-----------------------------------------------	----	-----------------------------	-------------------