



Datenblatt - Fiche technique - Data sheet

17.03.1148



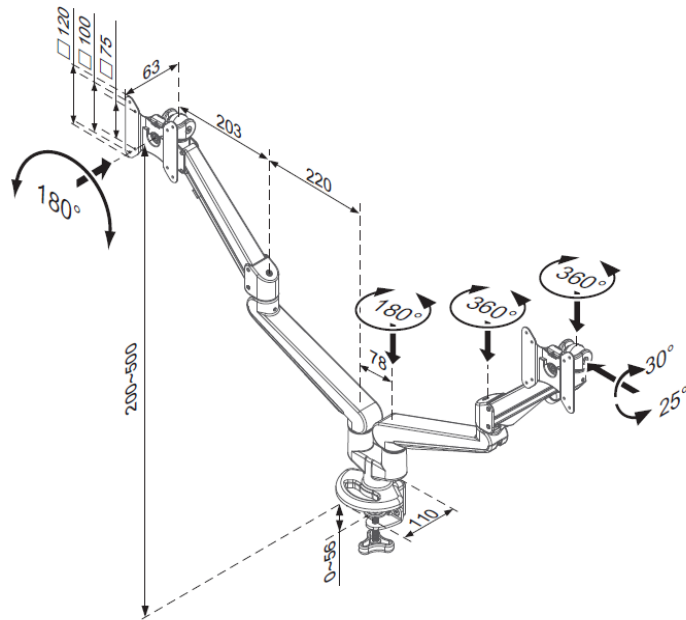
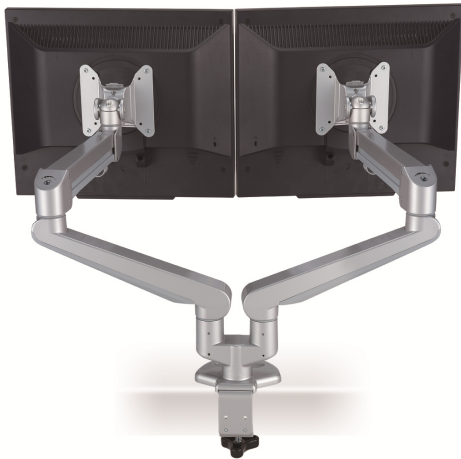
ROLINE Dual LCD-Arm Pneumatic, Tischmontage, 2 Gelenke, Pivot

ROLINE Support double LCD pneumatique, 2 articulations, pivot

ROLINE Dual LCD Monitor Stand Pneumatic, Desk Clamp, Pivot, 2 Joints

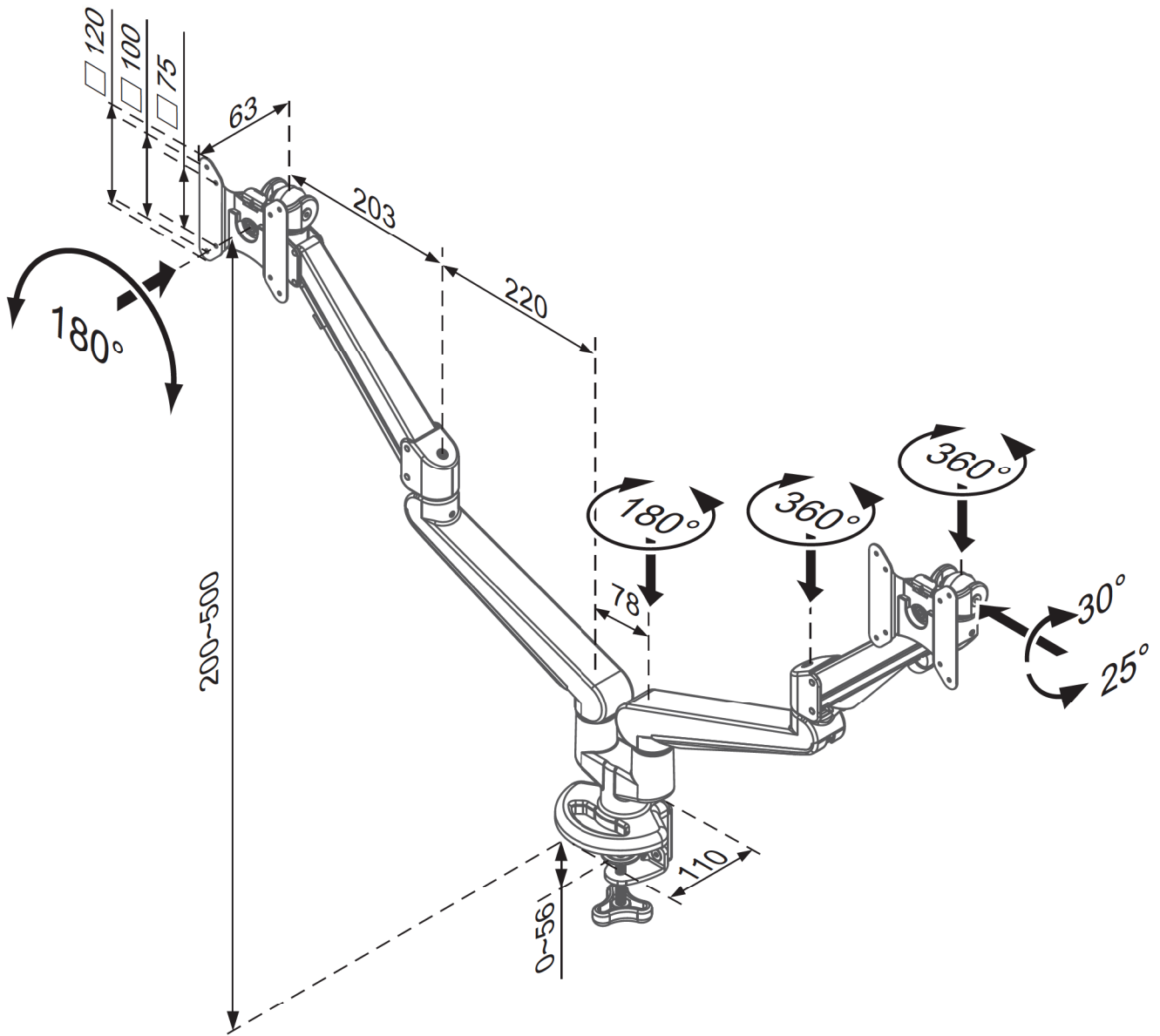
Item no.: 17.03.1148

ROLINE Dual LCD Arm, Desk Clamp & grommet mount, silver color



Features:

- Sturdy design made of high quality aluminum alloy
- Dual monitor application enables greater productivity
- Adjust the two monitors either independently or as a single unit
- Adjustable height
- Comes with both desk clamp and grommet mount
- VESA : 75/100MM
- Loading : 3~8 kgs /single arm
- Material: aluminum alloy



unit:mm