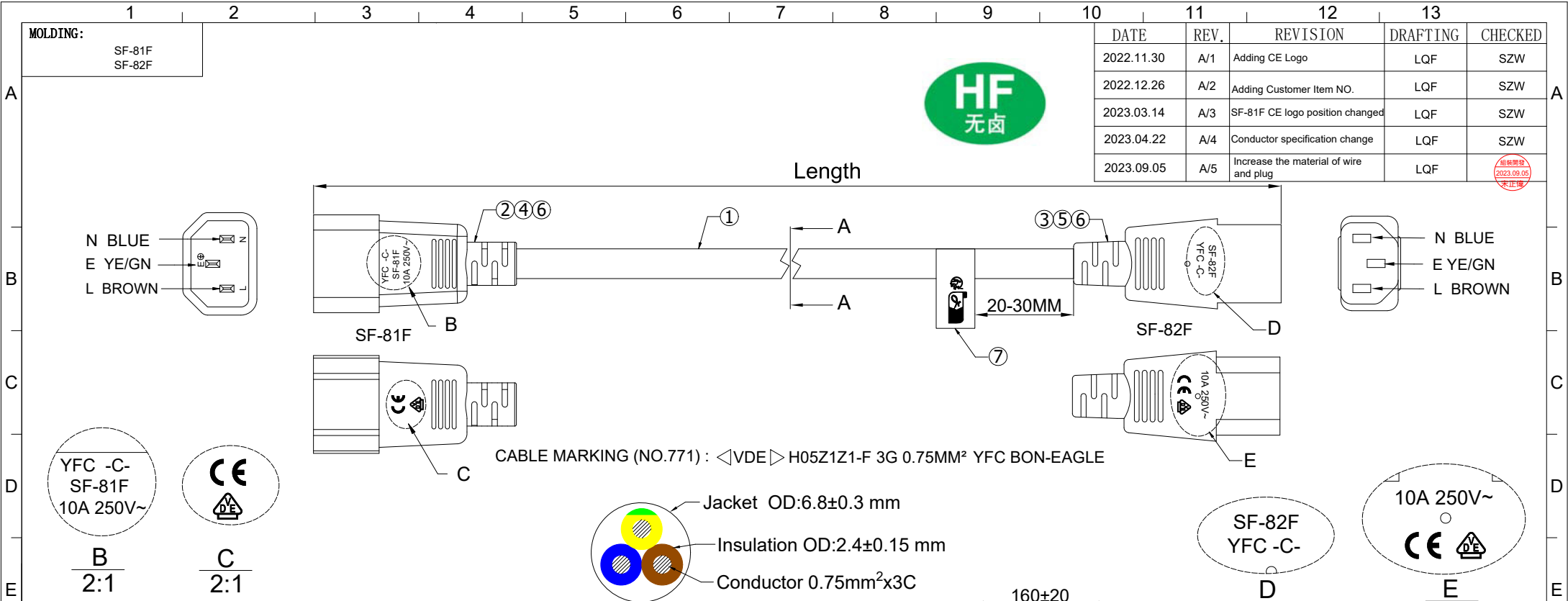


MOLDING:  
SF-81F  
SF-82F

DATE	REV.	REVISION	DRAFTING	CHECKED
2022.11.30	A/1	Adding CE Logo	LQF	SZW
2022.12.26	A/2	Adding Customer Item NO.	LQF	SZW
2023.03.14	A/3	SF-81F CE logo position changed	LQF	SZW
2023.04.22	A/4	Conductor specification change	LQF	SZW
2023.09.05	A/5	Increase the material of wire and plug	LQF	2023.09.05 宋正梅



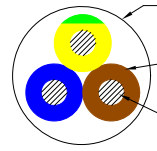
CABLE MARKING (NO.771) : <VDE> H05Z1Z1-F 3G 0.75MM² YFC BON-EAGLE

YFC -C-  
SF-81F  
10A 250V~



B  
2:1

C  
2:1



Jacket OD:6.8±0.3 mm  
Insulation OD:2.4±0.15 mm  
Conductor 0.75mm²x3C

SF-82F  
YFC -C-

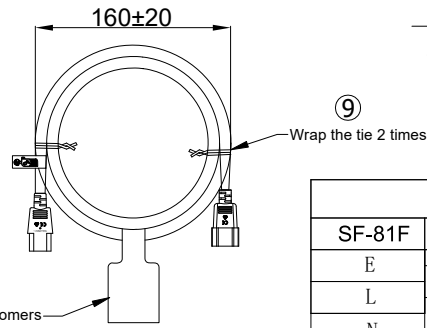
D  
2:1

10A 250V~  
CE E

E  
2:1

Comply with LSOH standard DIN EN50525-3-11	
Polarity and Conduction and Penetration Test	
Dielectric Voltage Withstand Test : 2000V / 1 Sec	
Electrical Performance (20°C)	
Item	Parameter
Conductor Resistance	≤26.0Ω/1000m
Voltage Rating	AC 300/500V

Customer Item NO.	Cable Color	Molding Color	Length (MM)
19.44.1010	Black	Black	800±15
19.44.1011	Black	Black	1800±30
19.44.1015	White	White	800±15
19.44.1016	White	White	1800±30



PINOUT			
SF-81F		SF-82F	WIRE
E		E	YE/GN
L		L	BROWN
N		N	BLUE

⑨	Mini TIE	Brown paper tie	2PCS
⑧	Current Label	Stickers provided by customers	1PC
⑦	Current Label	Recycle logo stickers	1PC
⑥	Molding	Molding 40P LSOH (TPE)	AR
⑤	Housing	SF-82F Three plug piece of inner frame,IEC-C13,PC	1SET
④	Housing	SF-81F Three plug piece of inner frame,IEC-C14, PC	1SET
③	Terminal	SF-82F IEC C13 Three plug female straight insert common of terminal,Brass yellow,0.75mm²	3PCS
②	Terminal	SF-81F IEC C14 Three plug male straight insert common of terminal, Nickel plated,0.75mm²	3PCS
①	CABLE	H05Z1Z1-F 3G 0.75MM² LSOH(polyolefin resin)	1PC

Unless specified on the drawing, tolerances are per the follows:  
X. ±0.20 X° ±3  
.X ±0.10 .X° ±0.3  
.XX ±0.05

<b>SECOMP</b>					
DRAW. NO	GFAC-S220225	TITLE	ROLINE GREEN Extension Power Cable, IEC320 C14/C13, LSOH		
CUSTOMER	--	DRAW	LQF	DATE	2023.09.05
CUST' R P/N	--	CHECK	2023.09.05 宋正梅	DATE	--
SCALE	1:1	APPROVED		SHEET	1 of 1
UNIT	mm				

No.	TITLE	DESCRIPTION	Q'TY
Cable Spec NO.	GFDY-C230056	Part Number	--

Note:  RoHS2.0  Reach  GP  HF  Other