



Datenblatt - Fiche technique - Data sheet

19.99.3022



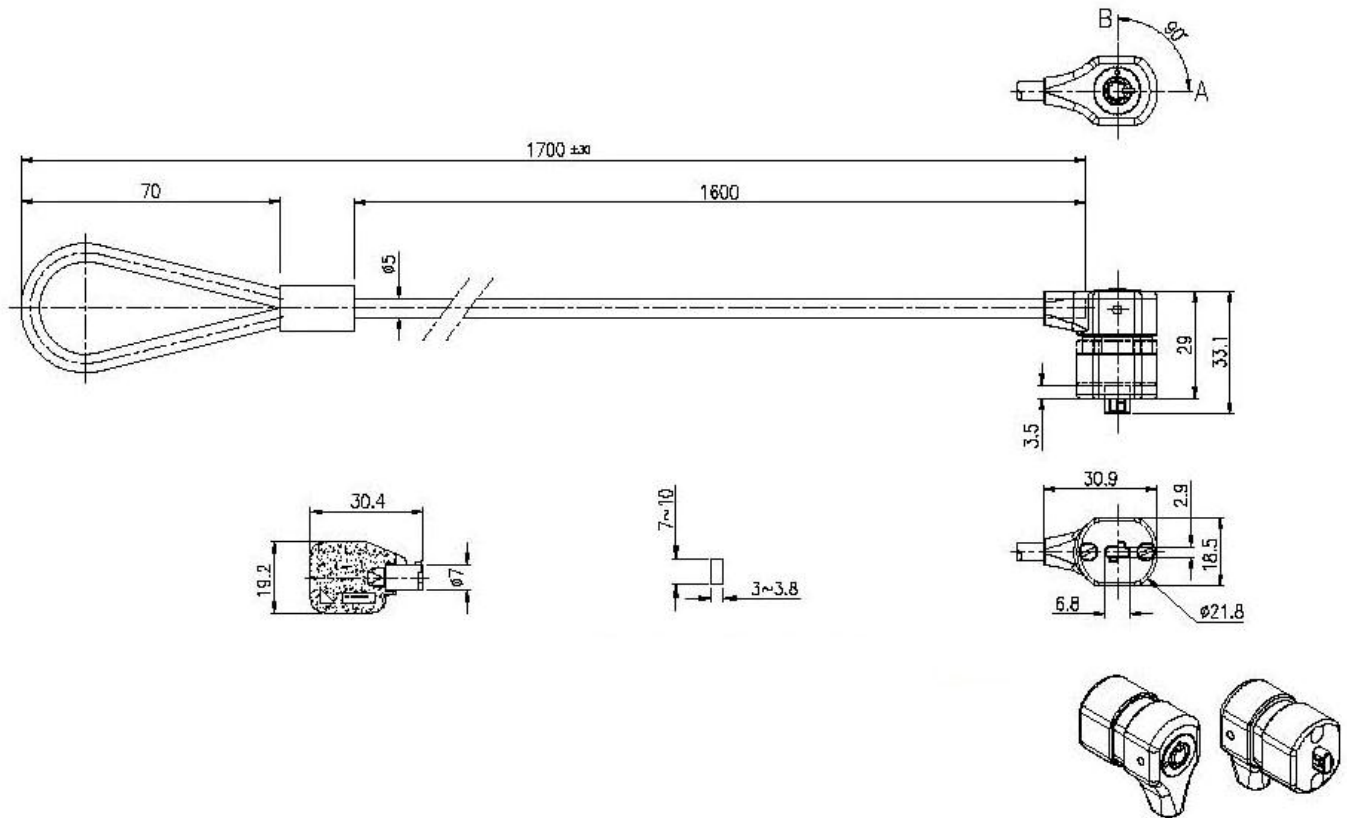
VALUE Notebook-Sicherung mit Schlüssel

VALUE Antivol pour portable

VALUE Notebook Cable Security Lock, with key

Item no.: 19.99.3022
VALUE Notebook Cable Lock

Unit:mm



Description:

- Zinc alloy housing and brass cylinder.
- Satin nickel plated standard, other finishes available upon request.
- 7 pin tumbler mechanism.
- Steel made tubular keys, nickel plated.
- Key withdrawals in one position only.
- 90 degrees turn to unlock.
- Stainless steel wire with black PVC, 170cm length & 5mm out diameter
- 5000 combinations available.