



Datenblatt - Fiche technique - Data sheet

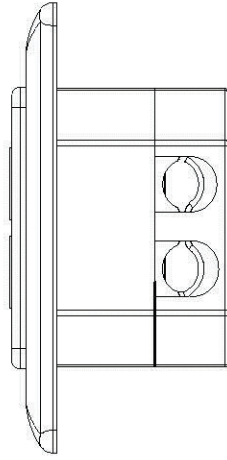
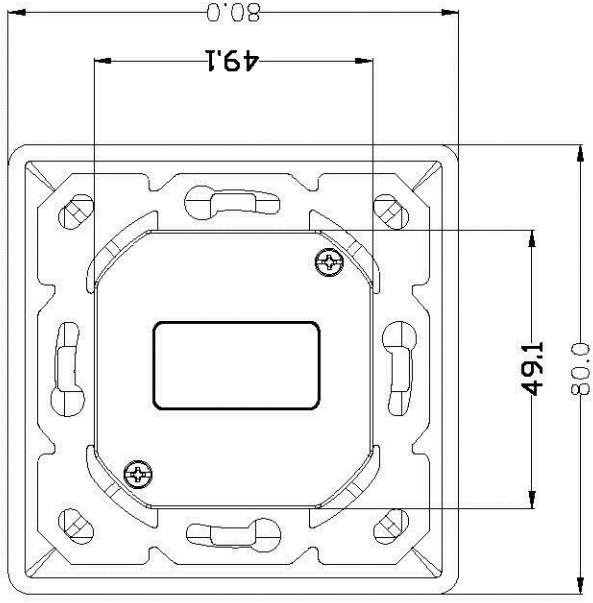
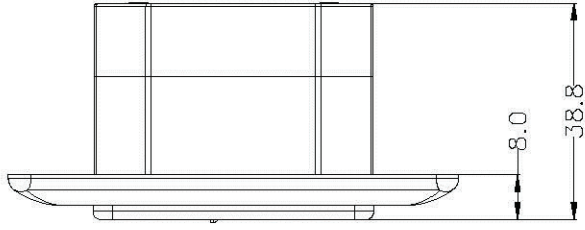
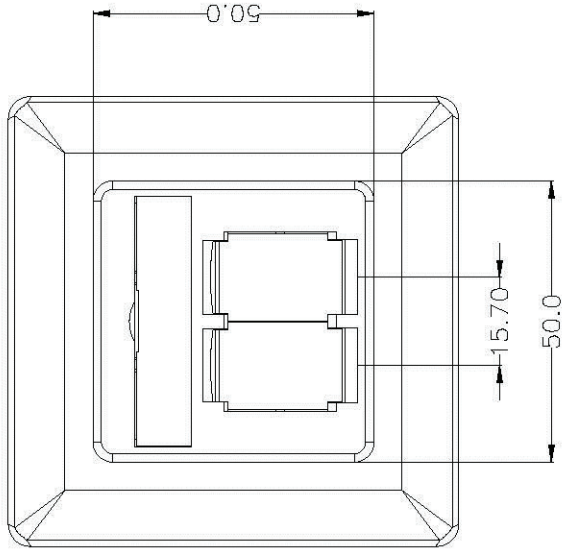
**25.99.8491**



VALUE Kat.6a Dose, 2x STP, Unterputz, senkrecht, weiss

VALUE Embase double Cat. 6a, STP, vertical, blanc pur

VALUE Cat.6a Flush Mount Wall Jack, STP, vertical, white



**NOTES:**

**ELECTRICAL:**

- 1. VOLTAGE RATING : 125V AC RMS
  - 2. CURRENT RATING : 1.5A mp
  - 3. CONTACT RESISTANCE : 100 MILLI OHMS MAX
  - 4. INSULATION RESISTANCE : 1000M OHMS MIN @ 500V DC
  - 5. DIELECTRIC STRENGTH : 750V AC RMS 60Hz, 1MIN
  - 6. CAT. 6A PERMANENT LINK : CONFORM TO ANSI/TIA/EIA-568 B. 2-1 IEC 11801 PL2 CLASS Ea
- Colour: White RAL 9010

**ENVIRONMENTAL:**

- 1. STORAGE : -40° TO+85°
  - 2. OPERATION : 0° TO+70°
- RJ45 JACK COMPLY TO REQUIREMENTS OF IEC-60603-7-5  
 MATES WITH MODULAR PLUG CONFORMING TO FCC PART 68

**MECHANICAL**

- 1. COVER&SHUTTER: FLAME RETARDANT ABS
- 2. JACK HOUSING : PBT+15%GF UL94V0
- 3. PCB : FR-4 THICKNESS:1.6MM
- 4. CONTACT MATERIAL: PHOSPHOR BRONZE T=0.35MM 8P8C 3u"Gold Plated
- 5. IDC CONTACT : PHOSPHOR BRONZE T=0.50MM WITH NICKEL PLATING
- 6. MOUNTING BRACKET: ZINC ALLOY#3
- 7. TOP COVER : ZINC ALLOY#3
- 8. RJ45 JACK LIFE: 750 TIMES MIN
- 9. IDN LIFE : 200 TIMES MIN
- 10. WIRE : AWG 22-24 Cable entry up/down
- 11. RETENTIVENESS OF INSERTION STRUCTURE: 50N 60±5s

**rotronic**

ITEM NO.		25.99.8491		UNIT	MM
DESC.		VALUE Cat.6A Flush Mount Wall Jack, Vertical, STP			
2013-10-23	A	DRAWNBY	CHECKBY	APPOBY	DATE
BY	CHK	REV.	DATE	REV.	DATE
		ALVAN	ALVAN		2013-10-23