



Datenblatt - Fiche technique - Data sheet

26.50.0082



ROLINE 19"-KVM-Konsole, 43 cm (17") TFT (4:3), VGA, USB+PS/2,
Tastaturlayout D

ROLINE Console 19", 1 UH, 43 cm (17") TFT, VGA, USB et PS/2, D

ROLINE 19" LCD KVM Console, 43 cm (17") TFT, VGA, USB + PS/2, German

Roline LCD KVM console

Dual rail 15" / 17" / 19" console with modular KVM switch

Patented Dual Rail consoles offer industrial level input solution to optimize your space utilization by controlling your systems in just 1U. With the unique modular design, you can easily integrate more than 17 models of KVM switches with different functions and expand the connections up to 8 levels of the KVM switches.



Features

- Patented Dual Rail design for independent Panel and Keyboard drawer
- Hidden handle for keyboard drawer
- 15/17/19" LCD panel for option
- Support Sun native resolution (for 17 " & 19")
- Support 17 various keyboard languages (increasing)
- Bright Active TFT display
- OSD function for LCD display and KVM switch
- Durable keyboard (touchpad or cherry keyboard with trackball)
- Panel protected by tempered glass
- Integration with more than 17 models of KVM switches
- USB, Touch panel (optional)
- Sun keys (optional)

Benefits

1. Feature rich solution: With our unique design and all the options, you can easily suffice the demand for your customer.
2. Time to serve your customer: With the modular KVM, you can easily turn single port console into 8 / 16 / 32 ports console to serve your customer well.
3. Keep low inventory: From the 3 models of consoles and 17 models of KVM switches, you can create total 54 models. It is the best solution for inventory control.
4. Easy to maintain: Once the defective comes from the KVM switch, you can just swap the KVM switch module without asking your customer to send the whole console back to you.
5. Save freight cost: Since you have to keep only 3 models of consoles and generate new models by yourself, you can ship all the goods by sea instead of by air. In case, you run out of the KVM switch stock, it is much cheaper to ship the KVM switch modules by air.

Dual rail Technology

1. Independent sliding rails for LCD panel and keyboard drawer
2. Monitoring under enclosed environment for safety and security



Modular KVM design

1. Scalable solution
2. UP to 32 ports
3. Integrate 17 models of KVM switches in 1U form factor to optimize space limitation

Remote Access

Combo free KVM switches



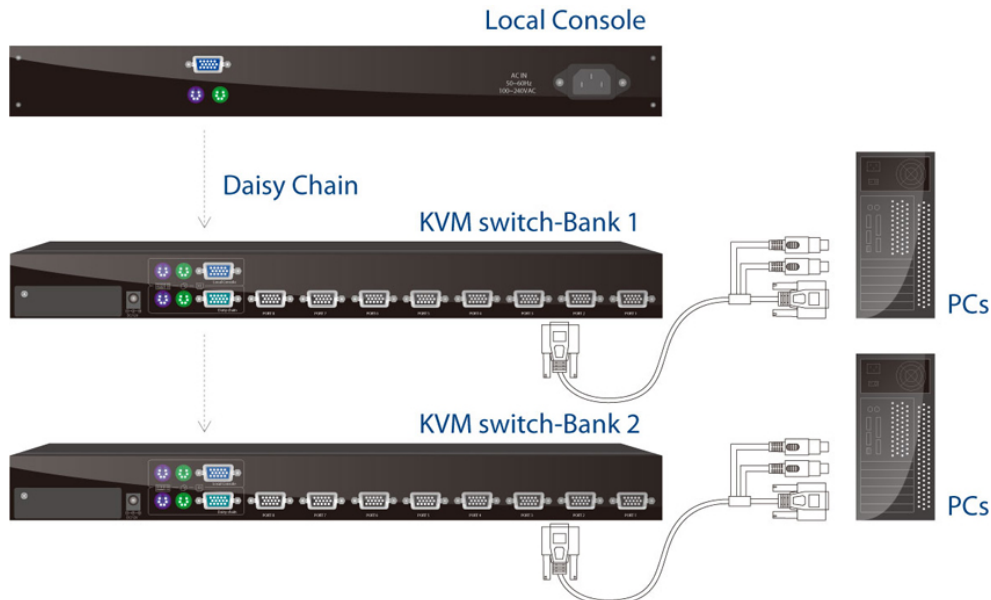
Multi-platform support

1. The LCD console support multi-platforms: PC, MAC and SUN micro system
2. It can cross platform to control different interface
3. No software required
4. Select PCs using OSD and Hotkeys

15/17/19 Specifications

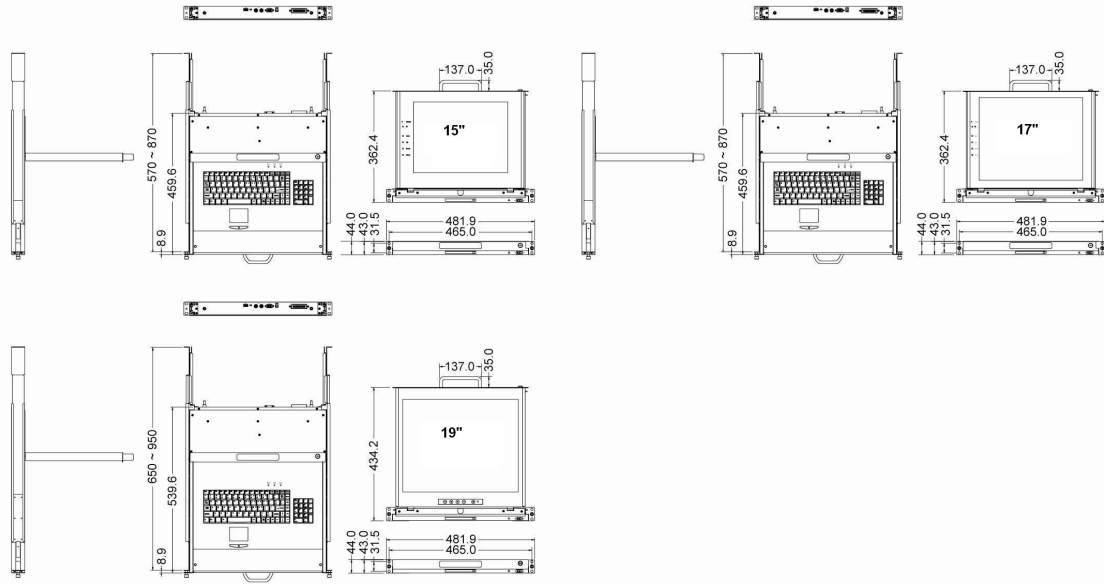
Model Name	#26.50.0077/78/79/80	#26.50.0081/82/83/84	#26.50.0201/02/03/04
Dimension	459.6 x 448.3 x 44 mm (18.1 x 17.6 x 1.7 inches)	459.6 x 448.3 x 44 mm (18.1 x 17.6 x 1.7 inches)	539.6 x 448.3 x 44 mm (21.2 x 17.6 x 1.7 inches)
Package Dimension	606 x 551.5 x 230 mm (23.9 x 21.7 x 9.0 inches)	606 x 551.5 x 230 mm (23.9 x 21.7 x 9.0 inches)	606 x 551.5 x 230 mm (23.9 x 21.7 x 9.0 inches)
Net Weight	12.0 Kg / 26.5 lbs	13.0 Kg / 28.7 lbs	14.0 Kg / 30.9 lbs
Gross Weight	19.5 Kg / 43.0 lbs	20.5 Kg / 45.2 lbs	21.5 Kg / 47.4 lbs
Display Size	15 inches	17 inches	19 inches
Panel Type	Active Matrix TFT LCD	Active Matrix TFT LCD	Active Matrix TFT LCD
Resolution Capabilities	max. 1024 x 768 (XGA)	max. 1280 x 1024 (SXGA)	max. 1280 x 1024 (SXGA)
Pixel Pitch	0.297 mm x 0.297 mm	0.264 mm x 0.264 mm	0.098 mm x 0.294 mm
Viewing Angle (CR>10)	Right-Left view 130° (Typ) Up-Down View 100° (Typ)	Right-Left view 60°~70° (Typ) Up-Down View 45°~60° (Typ)	Right-Left view 140° (Typ) Up-Down View 140° (Typ)
Contrast Ratio	400 : 1	450 : 1	500 : 1
Brightness	250 cd/m 2	250 cd/m 2	250 cd/m 2
Back Light	Dual Lamps	Four Lamps	Four Lamps
Supported Colors	16.7M Colors (8-bit with FRC)	16.7M Colors (8-bit with FRC)	16.7M Colors (8-bit with FRC)
Response Time	Rising Time 5 ms Decay Time 11 ms	Rising Time 2 ms Decay Time 14 ms	Rising Time 2 ms Decay Time 10 ms
Power Consumption	16 W, 10.41 W for Panel	25 W, 19.05 W for Panel	25 W, 21.05 W for Panel
System Connections	1		
Connectors	1 x VGA HDDB-15 pin, 2 x PS/2 Mini Din 6 pin, 1 x USB, 1 x PS/2-USB switch, 1 x DC Jack, 1 x RR4 36 pin socket for modular KVM switch		
Power Source	100 ~ 240 VAC input		
Sync	45 ~ 80 KHz		
Keyboard Mouse	106 key PS/2 keyboard with touch pad		
Multi Platform	Support PS/2 and USB		
System Cables	VGA + PS/2 x 2 cable or VGA + USB x 1 cable		
Operating System	Dos, Windows (3.1, 9x, 2000, NT4, ME, XP, 2003 Server) Linux, Novell 3.12-6, HP UX, SUN		
Temperature	Operate 0 ~ 50 °C / 32 ~ 122 °F, Storage -20 ~ 60 °C / -4 ~ 140 °F		
Humidity	10% ~ 90% RH		
Chassis Construction	Heavy duty steel materials		
Keyboard Language	US, UK, German, French, Spanish, Italian, Portuguese, Dutch, Swiss, Belgium, Swedish, Norwegian, Danish, Japanese, Mandarin, Russian, Hebrew		
Certification	CE / FCC, UL / CUL / C-Tick, GOST		

Application



Dimension

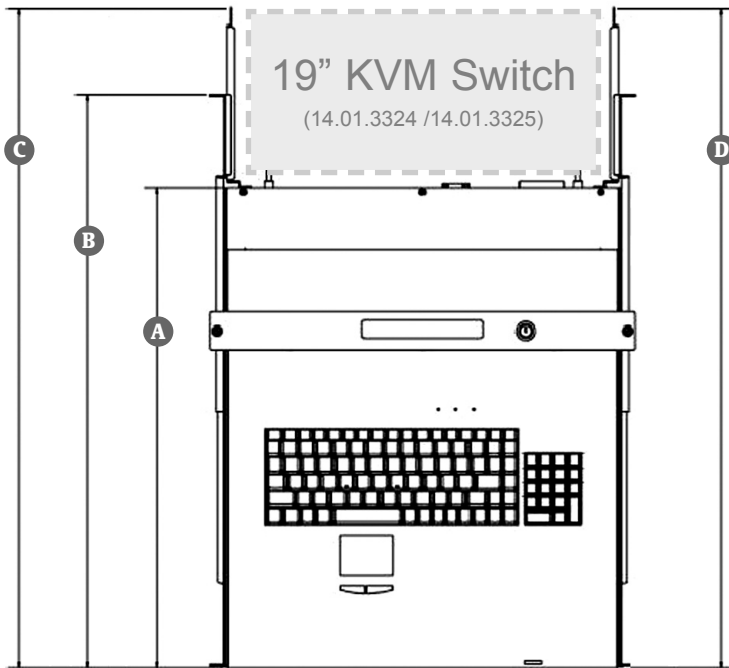
LCD Console



Adaptable Cabinet Depth of LCD Console

Model Name	#26.50.0077/78/79/80	#26.50.0081/82/83/84	19"
Depth of Console without modular KVM Switch	459.6 mm	459.6 mm	539.6 mm
Adaptable Cabinet depth	570 ~ 870 mm	570 ~ 870 mm	650 ~ 950 mm
Depth of Console with modular KVM Switch	637.6 mm	637.6 mm	717.6 mm
Adaptable Cabinet depth	570 ~ 870 mm	570 ~ 870 mm	650 ~ 950 mm

VALUE / ROLINE 19" LCD KVM Consoles



Dimensions (mm)

	A	B	C	D
VALUE 19" KVM Console, 43 cm (26.99.007x)	490	530 - 1000	670	670
VALUE 19" KVM Console, 48 cm (26.99.009x)	465	590 - 840	660	660
ROLINE 19" KVM Console, 43 cm (26.50.008x)	460	560 - 870	640	640
ROLINE 19" KVM Console, 48 cm (26.50.020x)	530	635 - 950	730	730

Legend:

- A - Installation depth of console
- B - Distance of 19" cabinet's vertical posts
- C - Installation depth of console with switch (14.01.3324/5)
- D - Length of rails

19" LCD Consoles:

26.99.0070	VALUE 19" LCD KVM Console, 43 cm TFT, USB + PS/2, UK
26.99.0071	VALUE 19" LCD KVM Console, 43 cm TFT, USB + PS/2, German
26.99.0072	VALUE 19" LCD KVM Console, 43 cm TFT, USB + PS/2, Swiss
26.99.0073	VALUE 19" LCD KVM Console, 43 cm TFT, USB + PS/2, French
26.99.0090	VALUE 19" LCD KVM Console, 48 cm Widescreen TFT, USB + PS/2, UK
26.99.0091	VALUE 19" LCD KVM Console, 48 cm Widescreen TFT, USB + PS/2, German
26.99.0092	VALUE 19" LCD KVM Console, 48 cm Widescreen TFT, USB + PS/2, Swiss
26.99.0093	VALUE 19" LCD KVM Console, 48 cm Widescreen TFT, USB + PS/2, French
26.50.0081	ROLINE 19" LCD KVM Console, 43 cm TFT, USB + PS/2, UK
26.50.0082	ROLINE 19" LCD KVM Console, 43 cm TFT, USB + PS/2, German
26.50.0083	ROLINE 19" LCD KVM Console, 43 cm TFT, USB + PS/2, Swiss
26.50.0084	ROLINE 19" LCD KVM Console, 43 cm TFT, USB + PS/2, French
26.50.0201	ROLINE 19" LCD KVM Console, 48 cm TFT, USB + PS/2, UK
26.50.0202	ROLINE 19" LCD-KVM Console, 48 cm TFT, USB + PS/2, German
26.50.0203	ROLINE 19" LCD-KVM Console, 48 cm TFT, USB + PS/2, Swiss
26.50.0204	ROLINE 19" LCD-KVM Console, 48 cm TFT, USB + PS/2, French

Recommended switches:

14.01.3224	ROLINE 19" KVM Switch, 1 User - 8 PC, USB and PS/2
14.01.3225	ROLINE 19" KVM Switch, 1 User - 16 PC, USB and PS/2