



Datenblatt - Fiche technique - Data sheet

26.99.0328



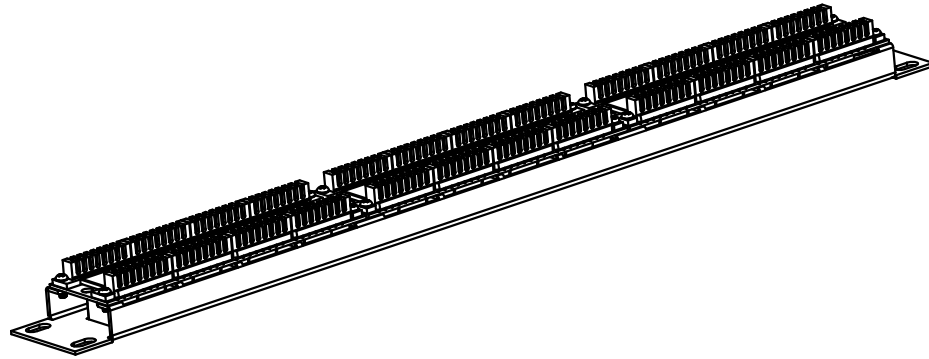
VALUE Kat. 5e 19"-Patchpanel, 24P, geschirmt, schwarz

VALUE Panneau de brassage Cat.5e, 24P, blindé, noir

VALUE Cat.5e 19" Patch Panel, 24 Ports, STP, black

VALUE Cat.5e Patch Panel 24P, UTP, black

REVISION RECORD			
REV.	CONTENT	MOD.	DATE
△	NEW PUBLISHING		



Performance:

Meet or Exceed Cat.5E EIA/TIA 568B.2 Standard.

Materials:

Front Panel : 1.5mm thickness Metallic Panel(SPCC)/RAL9005
 RJ45 Jack Housing-Fireproof PBT UL-94V0
 RJ45 Jack Insert: Housing-Fireproof PBT UL-94V0
 Contact-8P8C Phosphor bronze with 6 to 50U" gold plated
 PCB : FR-4/1.6mm UL-94V0
 IDC Body : Fireproof PC/ABS UL-94V0
 IDC Pin : Phosphor bronze & Tinned
 Label Color Code: T568A/B
 IDC Terminal: For 22-26 AWG Cable

Electrical Specifications:

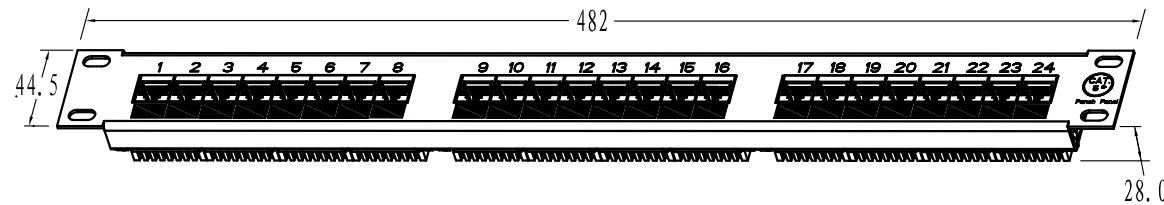
Insulation Resistance: 500M ohms (min.)
 Contact Resistance: 20m ohms (max.)
 Current Rating : 1.5 Amps
 DC Resistance: 0.1 ohms(max.)
 Withstanding Voltage : 1000 VAC RMS @ 60Hz/ 1 min

Mechanical Specifications:

IDC Punch Down Cycle : Over 25 Cycles (min.)
 RJ-45 Jack Insertion Cycle : Over 200 Cycles (min.)

Accessory:

1.Cable Clip: 4Pcs



0.	Cat.5e Patch Panel	26.99.0328				
NO.	NAME OF PART	NO. OF PART	Q'TY	MATERIAL	NOTES	
DES.	XHF	DATE	09/3/31	UNITS	mm	FIRST ANGLE PROJECTION
CHK.		DATE		SIZE	A4	SHEET
APP.		DATE		SCALE	1:4	DWG NO. 1 of 1
Rotronic Co.,Ltd					TITLE	Cat.5e Patch Panel