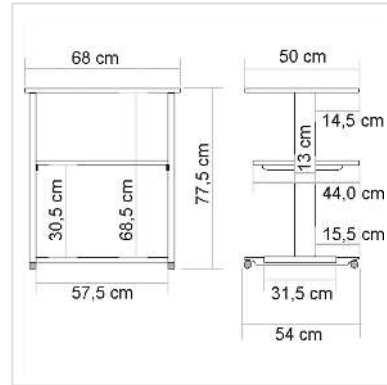
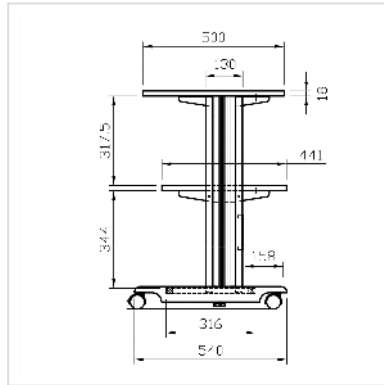


ROLINE Printer Table, grey

Product No.	17.01.1087
Manufacturer	ROLINE
Manufacturer No.	17.01.1087
EAN (single piece)	7611990120758

roline
Designed for Professionals



- Stable metal / man-made material frame
- Printer shelf (WxD: 68x50 cm)
- Middle shelf (WxD: 58.5x44 cm)
- Floor level shelf (WxD: 57.5x31.5 cm)
- Mobile through 4 wheels, 2 of them are lockable
- Level screws hinders the printer table from tilting on it's side
- Load bearing capacity: up to 30 kg
- Colour:
frame: light grey
surface: white
surface border: grey
- Dimensions: 77.5x68x54 cm

Technical specifications

Manufacturer	ROLINE
Product group	Furniture
Product type	printer table
Colour	grey
delivery condition	decomposed
Width table top	68 cm
Depth table top	50 cm

Height	775 mm
Width	680 mm
Depth	540 mm
Weight	16 kg
Height of packaging (single piece)	110 mm
Width of packaging (single piece)	560 mm
Depth of packaging (single piece)	750 mm
Package weight (single piece)	18 kg