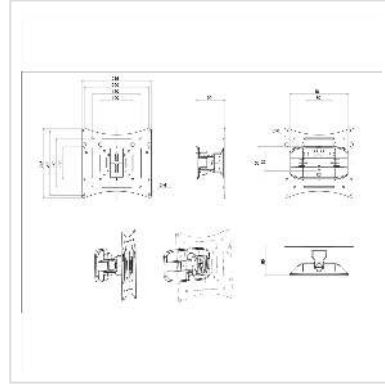
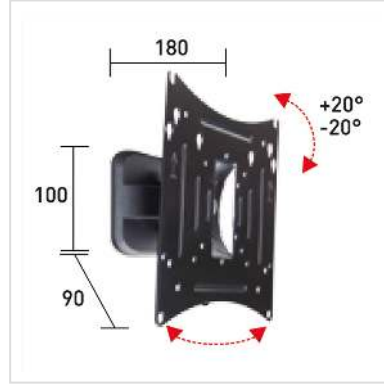


ROLINE LCD Monitor Arm, Wall Mount, 2 Joints

Product No.	17.03.0005
Manufacturer	ROLINE
Manufacturer No.	17.03.0005
EAN (single piece)	7611990141258



- Quick and simple installation
- Meets VESA 50/75/100/150/200x100/200
- Wall mount fixing
- Material: steel
- Colour: black

TV size: 25 - 100cm (10"- 40")

Load capacity: up to 20 kg

No. of pivots: 2

Max. arm length: 9 cm

Tiltable up and down: 20°

Technical specifications

Manufacturer	ROLINE
Product group	LCD-Monitor arms
Product type	Monitor Arms, wall mount
Colour	black
Load capacity	20 kg
Quantity of pivots	2
Adjustments	Adjustable spring gauge
Inclinable	yes

Rotatable	yes
Wall distance	18 cm
Number of monitors	1
Max. Screen diagonal (cm)	100 cm
Max. Screen diagonal (inch)	40 inch
Min. Screen diagonal (cm)	25 cm
Min. Screen diagonal (inch)	10 inch
VESA 75 x 75 mm	yes
VESA 100 x 100 mm	yes
VESA 200 x 100 mm	yes
VESA 200 x 200 mm	yes
Material group	metal
Weight	1130.5 g
Height of packaging (single piece)	60 mm
Width of packaging (single piece)	260 mm
Depth of packaging (single piece)	240 mm
Package weight (single piece)	1.353 kg