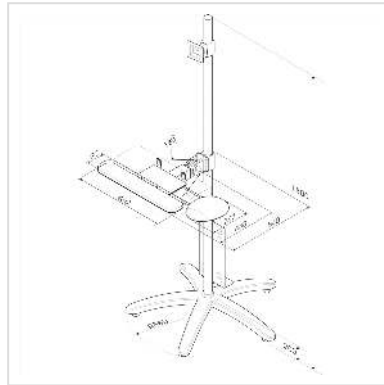


ROLINE LCD TV + PC Mobile Computing Platform, 180 cm

Product No.	17.03.1174
Manufacturer	ROLINE
Manufacturer No.	17.03.1174
EAN (single piece)	7611990185610



- A mobile computing platform that can be used in factories, hospitals, shopping malls, retail stores and department stores, etc.
 - Adaptable for sitting or standing users and adjusts to different user heights
 - For monitors with VESA 75 (75 x 75 mm) resp. VESA 100 (100 x 100 mm)
 - Pivots upwards to 10 degrees and downwards to 25 degrees
 - Mouse support tray can be attached to the right or left hand side
 - Safety belt adjusts for different sizes of CPU holders and UPS
 - Material: aluminum alloy which has a neat and artistic appearance
 - 5 wheels, whereof 3 are lockable
 - Height: 180 cm
- Optional printer holder: 17.03.1152 - ROLINE Printer Holder for LCD TV Mobile Computing Platform

Technical specifications

Manufacturer	ROLINE
Product group	LCD-Monitor arms
Product type	Mobile Carts

Colour	silver
Load capacity	30 kg
Quantity of pivots	Screen: 2, Keyboard/Mouse: 1
Adjustments	Adjustable spring gauge
Inclinable	yes
Height adjustable	yes
Number of monitors	1
VESA 75 x 75 mm	yes
VESA 100 x 100 mm	yes
Material group	metal
Height	1800 mm
Width	460 mm
Depth	540 mm
Weight	20.37 kg
Height of packaging (single piece)	270 mm
Width of packaging (single piece)	670 mm
Depth of packaging (single piece)	900 mm
Package weight (single piece)	25.948 kg