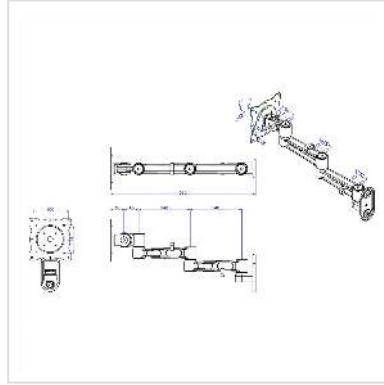


ROLINE LCD Monitor Arm, Wall Mount, 5 Joints, black

Product No.	17.03.1198
Manufacturer	ROLINE
Manufacturer No.	17.03.1198
EAN (single piece)	7611990142873



- Aesthetic design offers a pleasant environment
- Broad range of flexibility
- Quick and simple installation
- Rotation: 180° for portrait or landscape viewing (right & left)
- Meets VESA 75 (75 x 75 mm), VESA 100 (100 x 100 mm)
- Solid model made out of black painted iron
- Colour: black

Load capacity: 1-10 kg

No. of pivots: 5

Fixing: Wall mount

Max. arm length: 395 mm

Tiltable up and down: 80°

Pivot: 180°

Technical specifications

Manufacturer	ROLINE
Product group	LCD-Monitor arms
Product type	Monitor Arms, wall mount
Colour	black
Load capacity	10 kg

Quantity of pivots	5
Fixing	wall mount
Maximal arm length	xxx mm
Adjustments	Adjustable spring gauge
Inclinable	yes
Number of monitors	1
VESA 75 x 75 mm	yes
VESA 100 x 100 mm	yes
Material group	metal
Weight	1318.4 g
Height of packaging (single piece)	115 mm
Width of packaging (single piece)	145 mm
Depth of packaging (single piece)	222 mm
Package weight (single piece)	1.6 kg