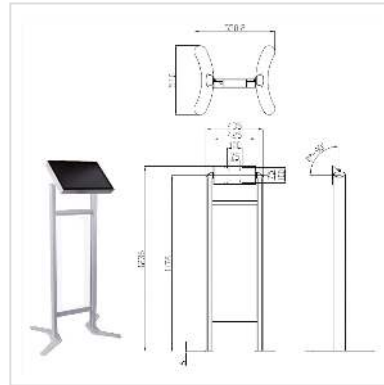
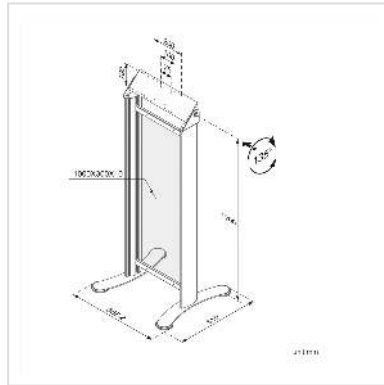


# ROLINE Digital Signage Stand, Advertising, silver

<b>Product No.</b>	17.03.1251
<b>Manufacturer</b>	ROLINE
<b>Manufacturer No.</b>	17.03.1251
<b>EAN (single piece)</b>	7611990111411



- How can an a digital signage stand benefit your business? There are a lot of possiibilities, and they can be used across a wide variety of settings including retail stores & trade shows. That enables users to take projects and presentations on the road with ease.
- Digital Signage stands turn a tablet into a versatile workstation or customer information center. Pre-load apps and software for customers to use that is tailored to your business.

For what types of businesses are these products commonly used?

- Hotels - for guests to check in/out or to request room accommodations
- Restaurants & Food Service Locations - reservation of seating or food order
- Trade Shows & Convention Centers
- Retail Stores - for shoppers to participate in giveaways or learn more about the range of offered products
- Car Dealerships - for customers to see individual features on new models, check in for vehicle maintenance services or queue up to meet with a dealer

- Designed with heavy duty extruded alloy
- 

## Technical specifications

Manufacturer	ROLINE
Product group	LCD-Monitor arms
Product type	Monitor stand
Colour	silver

Load capacity	10 kg
Quantity of pivots	1
Adjustments	Adjustable spring gauge
Inclinable	yes
Height adjustable	yes
Number of monitors	1
VESA 100 x 100 mm	yes
VESA 200 x 100 mm	yes
Material group	metal
Technical particularity	Height: 1200 mm
Height of packaging (single piece)	170 mm
Width of packaging (single piece)	290 mm
Depth of packaging (single piece)	1140 mm
Package weight (single piece)	14.3 kg